



ENGINEERING CLARIFICATION

EC TITLE: Facility 500 Structural Clarifications
PROJECT: 3 Kings Water Treatment Plant

EC NO.: 20
DATE: 5/14/2020
STATUS: Open

SECTION 1: BY CONTRACTOR

QUESTION:

Structural clarifications required at Facility 500.

DRAWING NO.: 500-S-2002 STRUCTURAL - FACILITY 500 -
PUMP/POLY BUILDING - UPPER FLOOR PLAN

SPECIFICATION SECTION:

POTENTIAL COST IMPACT:

POTENTIAL SCHEDULE IMPACT:

PROPOSED SOLUTION:

See attached drawings to address clarifications.

COMMENTS:

INITIATOR: Petty, Tim/SLC

PRIORITY: Normal

REQUESTED RESPONSE DATE: 5/28/2020

SECTION 2: BY REVIEWER

RESPONSE:

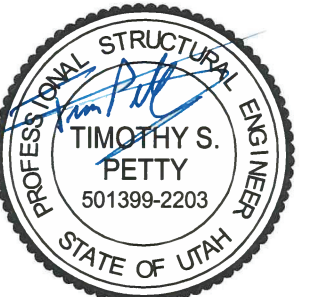
COMMENTS:

REVIEWED BY:

REVIEWED DATE:

GENERAL NOTES

- FOR GENERAL STRUCTURAL NOTES SEE DWG 001-GS-0001 AND 001-GS-0002.
- FLOOR DESIGN LIVE LOADS:
POLYMER AND PUMP ROOM 200 PSF
ELEC ROOM 300 PSF
- REINFORCE OPENINGS PER (0330-001).
- REINFORCE CORNERS PER (0330-003).
- LOCATE WALL CONSTRUCTION JOINTS PER (0315-131).
- EQUIPMENT AND PIPING SHOWN FOR INFORMATION ONLY. COORDINATE WITH OTHER DISCIPLINE DRAWINGS.
- COORDINATE WALL AND SLAB OPENINGS WITH OTHER DISCIPLINE DRAWINGS.
- COORDINATE DOOR, WINDOW, AND LOUVER SIZES AND LOCATIONS WITH ARCHITECTURAL DRAWINGS.
- FOR TYPICAL CMU REINFORCING (UNLESS NOTED OTHERWISE) SEE DETAILS (0422-001), (0422-002), (0422-003), AND (0422-004).
- TYPICAL CMU REINFORCEMENT SHALL BE #5@32 VERT AND #5@32 HORZ. PROVIDE ADDITIONAL REINFORCEMENT WHERE INDICATED BY THE STANDARD DETAILS.
- COORDINATE DOOR SILL, HEAD, AND JAMBS WITH ARCHITECTURAL DRAWINGS AND THE STANDARD DETAILS.



DIGITALLY SIGNED:
02/10/2020

NO.	DATE	REVISION	BY	APVD
1	05/13/2020	ENGINEERING CLARIFICATION #20	TP	JZ
			DR	APVD
			CHK	APVD
			DR	APVD

ZEHREN AND ASSOCIATES, INC.
ARCHITECTURE, PLANNING, INTERIORS
LANDSCAPE ARCHITECTURE
1414 West 10th Street, Suite 101
P.O. Box 9797, West Colorado, #100
Salt Lake City, Utah 84119
801.462.2277 FAX: 801.462.1100

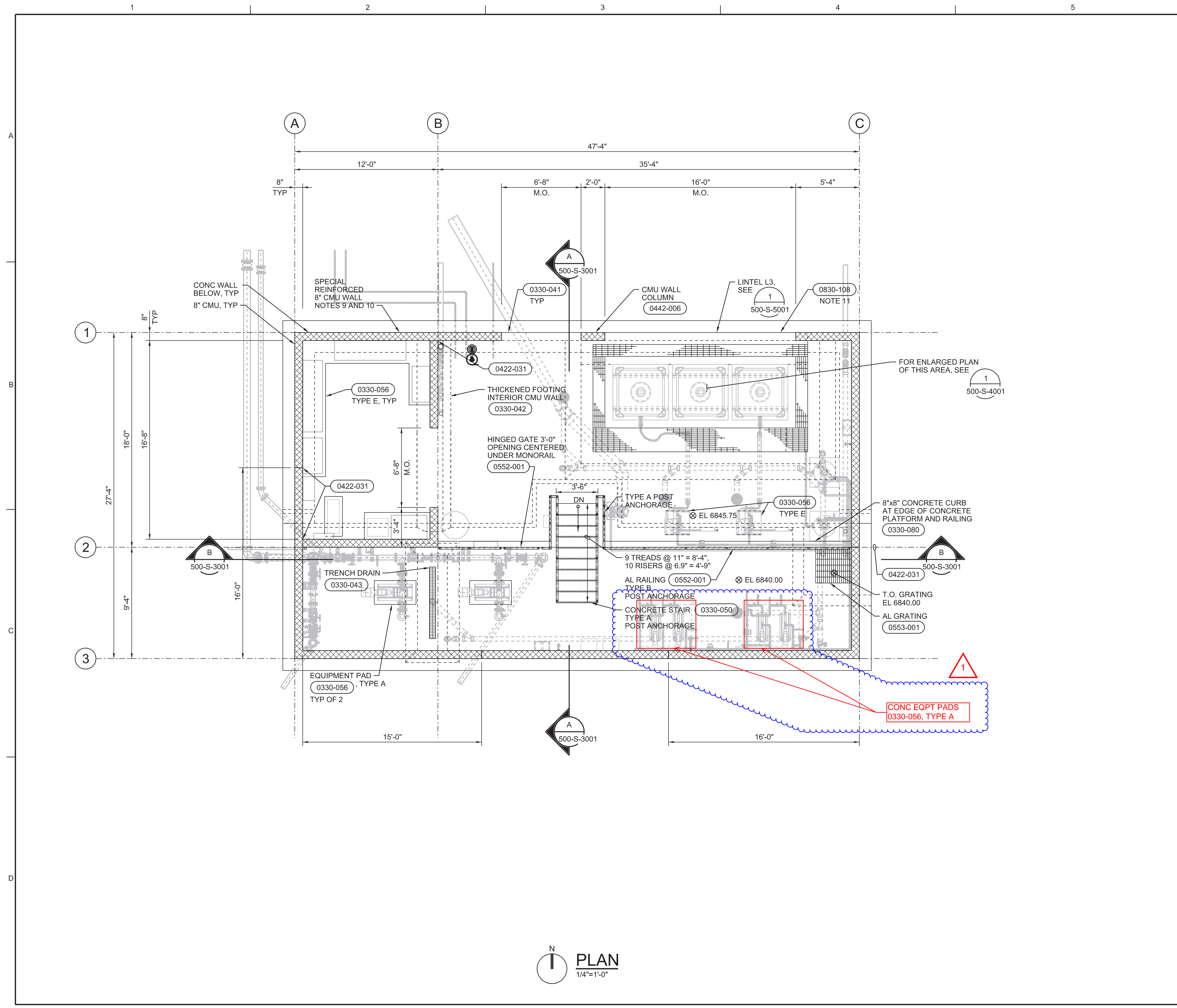
3Kings WTP Phase III Design
Park City Municipal Corporation
Park City, Utah

JACOBS

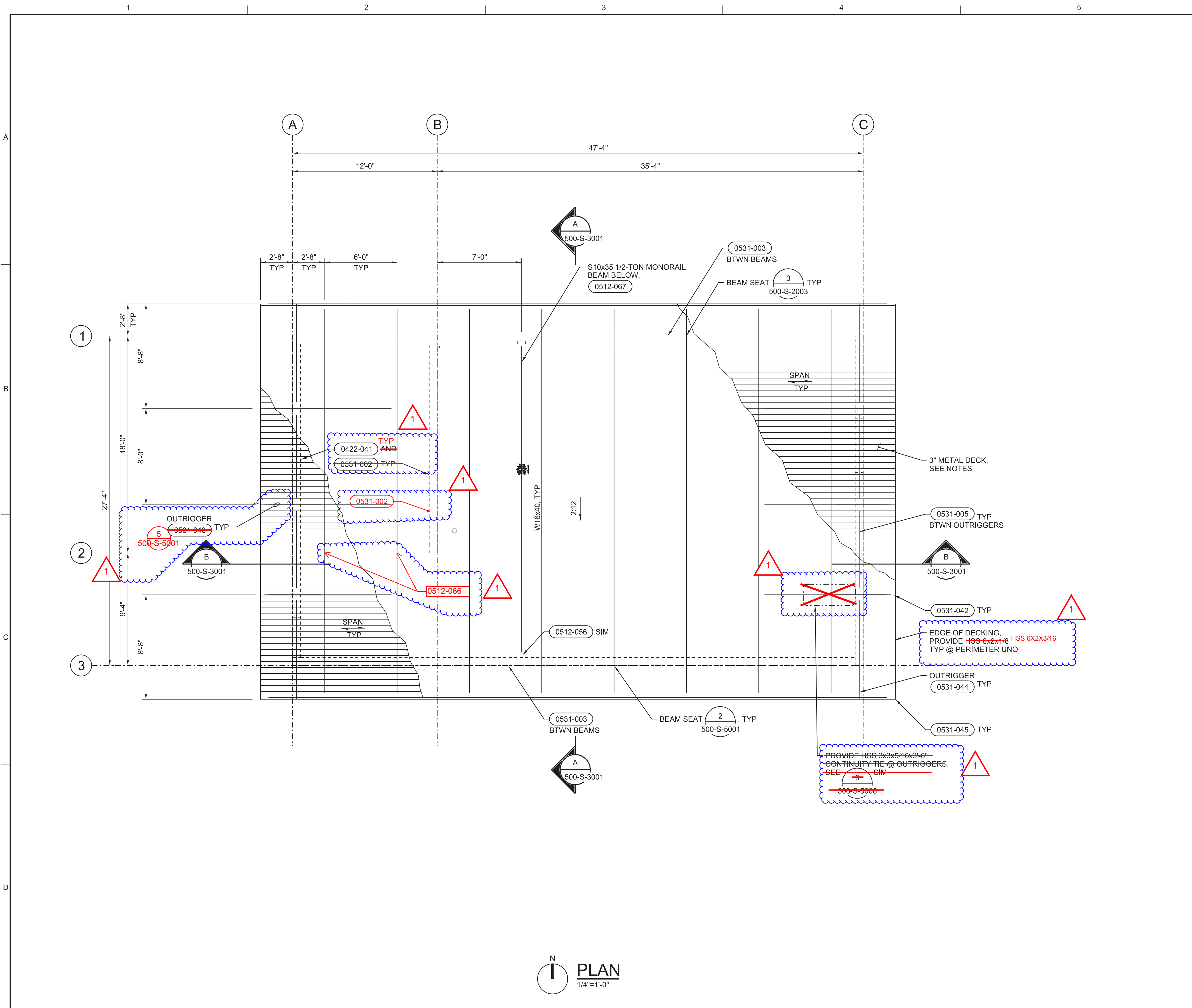
STRUCTURAL
FACILITY 500
PUMP/POLY BUILDING
UPPER FLOOR PLAN

VERIFY SCALE	
BAR IS ONE INCH ON ORIGINAL DRAWING.	
DATE	02/10/2020
PROJ	694342
DWG	500-S-2002
SHEET	760 of 911

ISSUED FOR CONSTRUCTION



PLAN
1/4"=1'-0"

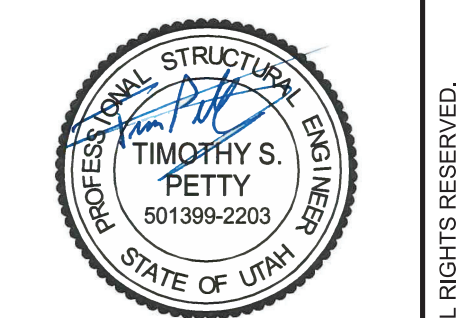


GENERAL NOTES

- FOR GENERAL STRUCTURAL NOTES SEE DWG 001-GS-0001 AND 001-GS-0002.
- PERIMETER HSS FRAMING SHALL BE ATTACHED TO A MINIMUM OF 3 SUPPORTS BUT MAY BE SPliced EXCEPT WHERE INDICATED OTHERWISE.
- DESIGN UNIFORM SNOW LOAD = 125 PSF

METAL DECK NOTES

- METAL ROOF DECK SHALL BE 3" TYPE N METAL DECK W/ THE FOLLOWING MINIMUM PROPERTIES:
 GAGE = 18
 I = 1.229 IN 4/FT
 S+ = 0.671 IN 3/FT
 S- = 0.722 IN 3/FT
 Fy = 50 KSI
- BASIS OF DESIGN IS VERCO TYPE PLN 3. SEE SPECIFICATIONS FOR OTHER MANUFACTURERS.
- MINIMUM BEARING SHALL BE AS REQ'D BY MANUFACTURER.
- CONTRACTOR SHALL SUBMIT PROPOSED CONNECTION PLAN TO DEVELOP A MINIMUM ALLOWABLE SHEAR CAPACITY OF 320 PLF.



DIGITALLY SIGNED:
02/10/2020

NO.	DATE	REVISION	BY	APVD
1	05/13/2020	ENGINEERING CLARIFICATION #20	TP	JZ

ZEHREN AND ASSOCIATES, INC.
 ARCHITECTURE, PLANNING, INTERIORS
 4500 West 12000 South, Suite 100
 Park City, Utah 84304
 435.799.4400
 435.799.4401
 435.799.4402
 435.799.4403
 435.799.4404
 435.799.4405
 435.799.4406
 435.799.4407
 435.799.4408
 435.799.4409
 435.799.4410

JACOBS
 STRUCTURAL
 FACILITY 500
 PUMP/POLY BUILDING
 ROOF FRAMING

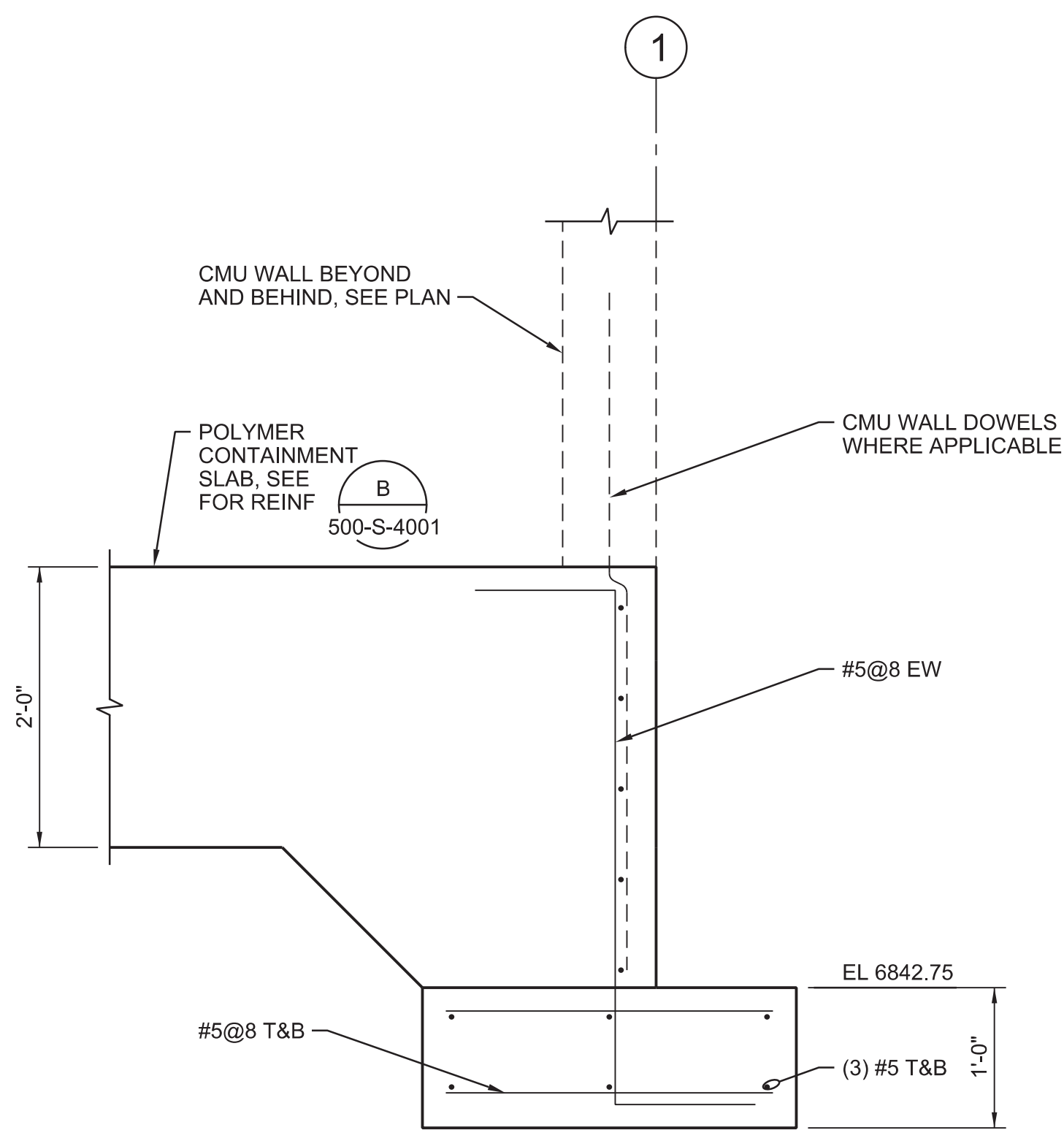
VERIFY SCALE	BAR IS ONE INCH ON ORIGINAL DRAWING.
DATE	02/10/2020
PROJ	694342
DWG	500-S-2003
SHEET	761 of 911

ISSUED FOR CONSTRUCTION
 REUSE OF DOCUMENTS: THIS DOCUMENT AND THE IDEAS AND DESIGNS INCORPORATED HEREIN, AS AN INSTRUMENT OF PROFESSIONAL SERVICE, IS THE PROPERTY OF JACOBS AND IS NOT TO BE USED, IN WHOLE OR IN PART, FOR ANY OTHER PROJECT WITHOUT THE WRITTEN AUTHORIZATION OF JACOBS.
 © JACOBS 2018. ALL RIGHTS RESERVED.

8" WALLS						
W	LINTEL DEPTH	STIRRUP SIZE, SPG	"A" BARS	"B" BARS	"C" BARS	JAMB WIDTH
L3	60"	#4@12"	2	2	6	24"

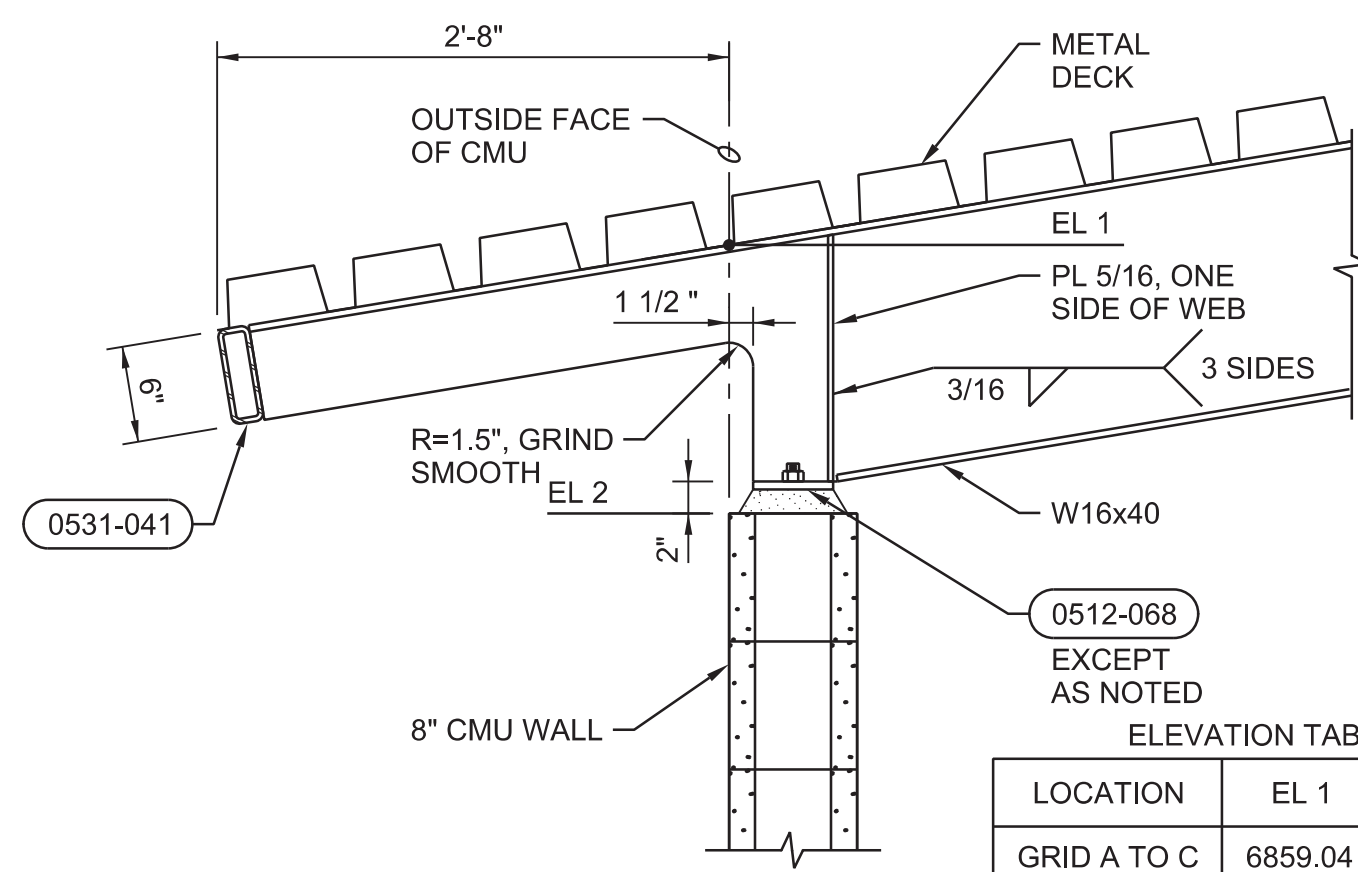
NOTE: FOR ADDITIONAL INFORMATION SEE 0422-003

1 CMU OPENING REINFORCEMENT
NTS



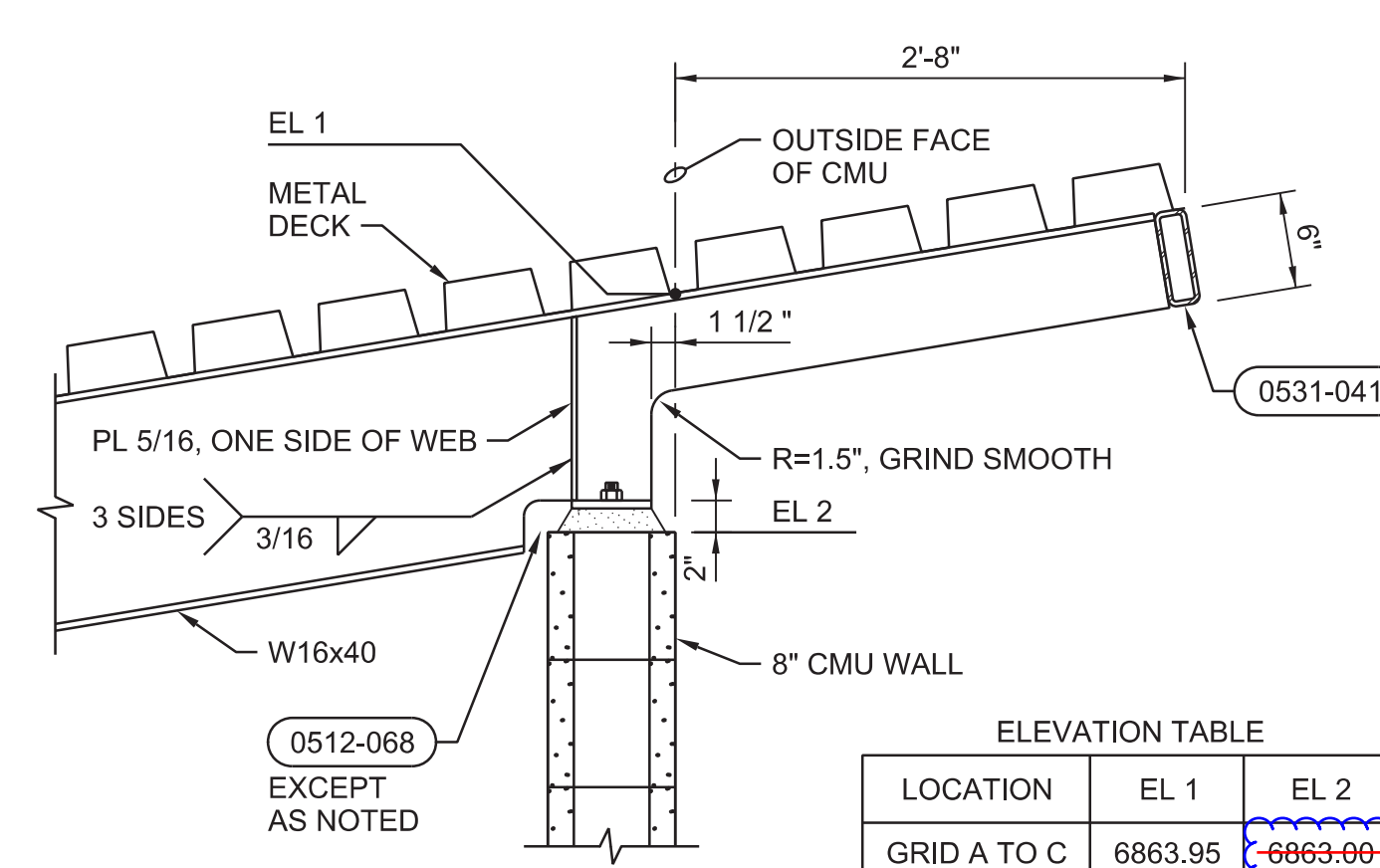
4 FOOTING DETAIL @ POLYMER CONTAINMENT SLAB
NTS

500-S-2001
500-S-4001



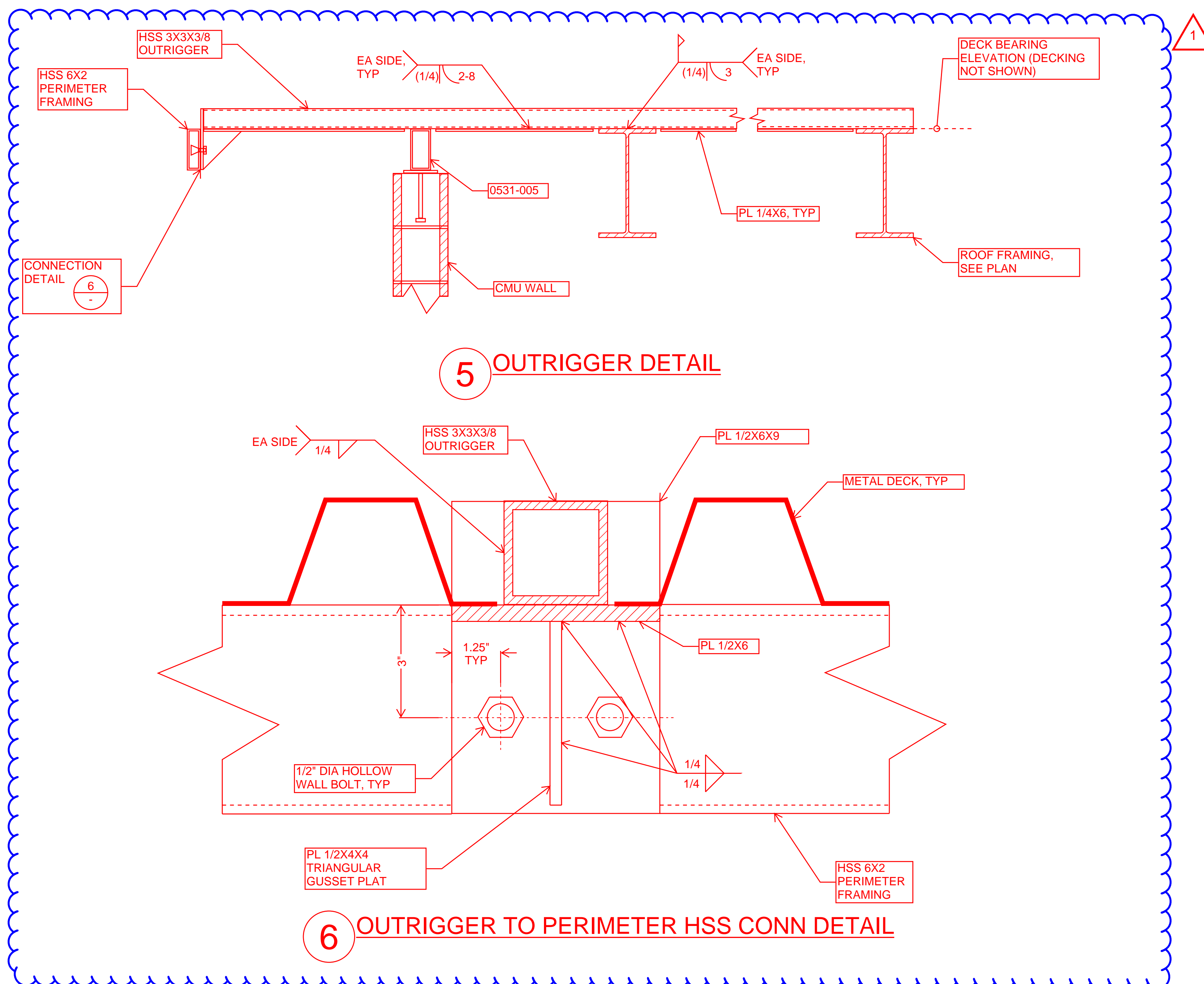
2 BEAM SEAT @ LOW WALL
1"=1'-0"

500-S-3001



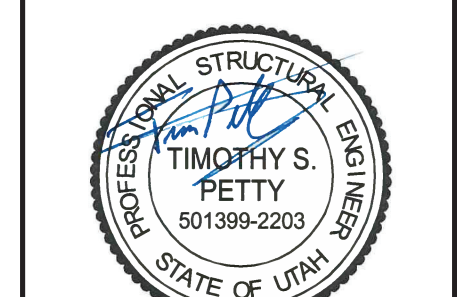
3 BEAM SEAT @ HIGH WALL
1"=1'-0"

500-S-3001



5 OUTRIGGER DETAIL

6 OUTRIGGER TO PERIMETER HSS CONN DETAIL



DIGITALLY SIGNED:
02/10/2020

NO.	DATE	REVISION	BY	APVD
1	05/13/2020	ENGINEERING CLARIFICATION #20	TP	JZ

ZEHREN AND ASSOCIATES, INC.
ARCHITECTURE, PLANNING, INTERIORS
LANDSCAPE ARCHITECTURE
1414 West 10th Street, Suite 201
Salt Lake City, Utah 84119
801.462.2277 FAX 801.462.1000

3Kings WTP Phase III Design
Park City Municipal Corporation
Park City, Utah

JACOBS
STRUCTURAL
FACILITY 500
PUMP/POLY BUILDING
DETAILS

VERIFY SCALE	
DATE	02/10/2020
PROJ	694342
DWG	500-S-5001
SHEET	764 of 911

ISSUED FOR CONSTRUCTION