



ENGINEERING CLARIFICATION

EC TITLE: Facility 700 Roof Framing Clarifications
PROJECT: 3 Kings Water Treatment Plant

EC NO.: 26
DATE: 6/3/2020
STATUS: Acknowledged

SECTION 1: BY CONTRACTOR

QUESTION:

Structural clarifications required for roof framing at Facility 700.

DRAWING NO.:
SPECIFICATION SECTION:

POTENTIAL COST IMPACT:
POTENTIAL SCHEDULE IMPACT:

PROPOSED SOLUTION:

See attached drawings for clarifications.

COMMENTS:

INITIATOR: Petty, Tim/SLC

PRIORITY: Normal
REQUESTED RESPONSE DATE: 6/17/2020

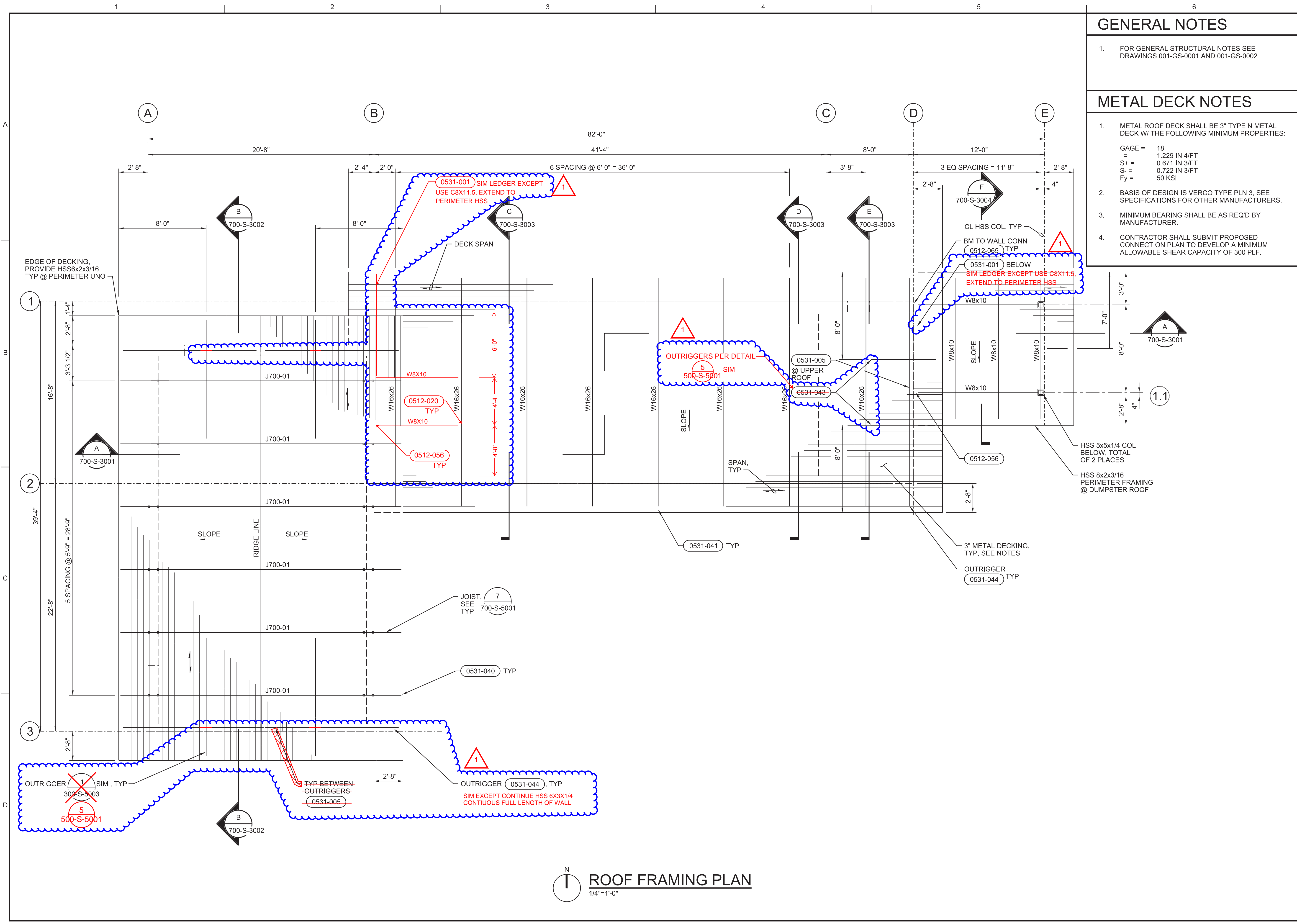
SECTION 2: BY REVIEWER

RESPONSE:

COMMENTS:

REVIEWED BY: Sam Conant

REVIEWED DATE: 6/16/2020

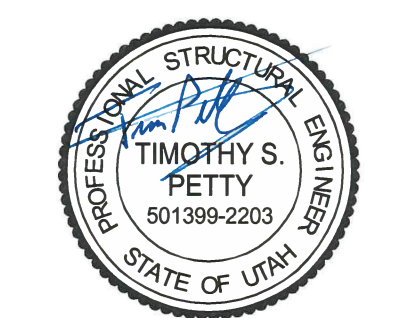


GENERAL NOTES

1. FOR GENERAL STRUCTURAL NOTES SEE DRAWINGS 001-GS-0001 AND 001-GS-0002.

METAL DECK NOTES

- METAL ROOF DECK SHALL BE 3" TYPE N METAL DECK W/ THE FOLLOWING MINIMUM PROPERTIES:
 GAGE = 18
 I = 1.229 IN 4/FT
 S = 0.671 IN 3/FT
 S = 0.722 IN 3/FT
 Fy = 50 KSI
- BASIS OF DESIGN IS VERCO TYPE PLN 3. SEE SPECIFICATIONS FOR OTHER MANUFACTURERS.
- MINIMUM BEARING SHALL BE AS REQ'D BY MANUFACTURER.
- CONTRACTOR SHALL SUBMIT PROPOSED CONNECTION PLAN TO DEVELOP A MINIMUM ALLOWABLE SHEAR CAPACITY OF 300 PLF.



DIGITALLY SIGNED:
02/10/2020

NO.	DATE	REVISION	BY	APVD
1	06/03/2020	ENGINEERING CLARIFICATION #26	TP	JZ

ZEHREN AND ASSOCIATES, INC.
 ARCHITECTURE, PLANNING, INTERIORS
 415 East 1000 South, Suite 201
 Park City, Utah 84302
 (435) 765-1234

JACOBS
 STRUCTURAL
 FACILITY 700
 ELECTRICAL BUILDING
 ROOF FRAMING PLAN

3Kings WTP Phase III Design
 Park City Municipal Corporation
 Park City, Utah

DATE	02/10/2020
PROJ	694342
DWG	700-S-2003
SHEET	815 of 911

ROOF FRAMING PLAN
1/4"=1'-0"

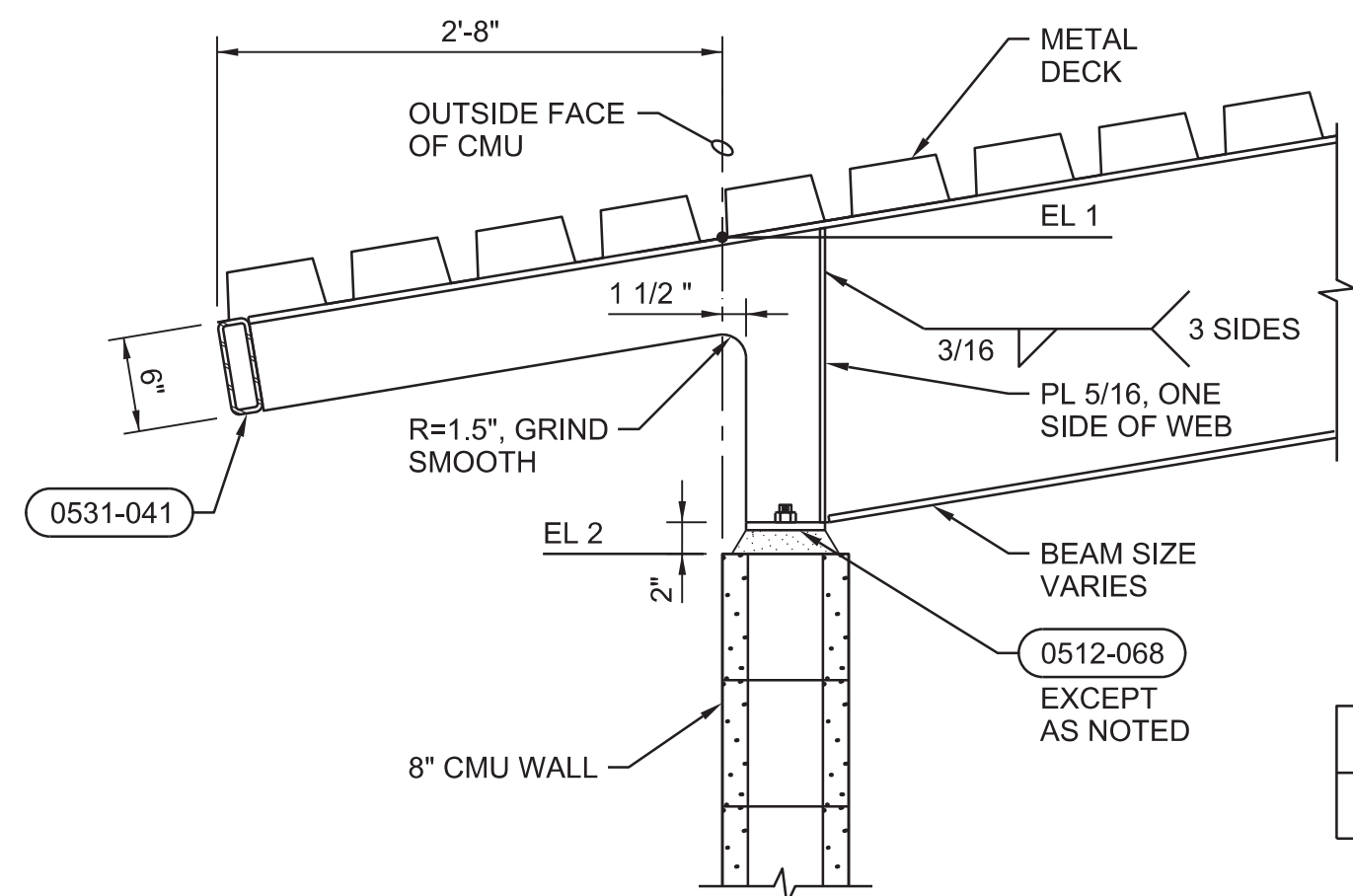
ISSUED FOR CONSTRUCTION

12" WALLS						
W	LINTEL DEPTH	STIRRUP SIZE, SPG	"A" BARS	"B" BARS	"C" BARS	JAMB WIDTH
L1	42"	#4@12"	2	2	6	24"
L2	32"	#4@12"	2	2	6	24"

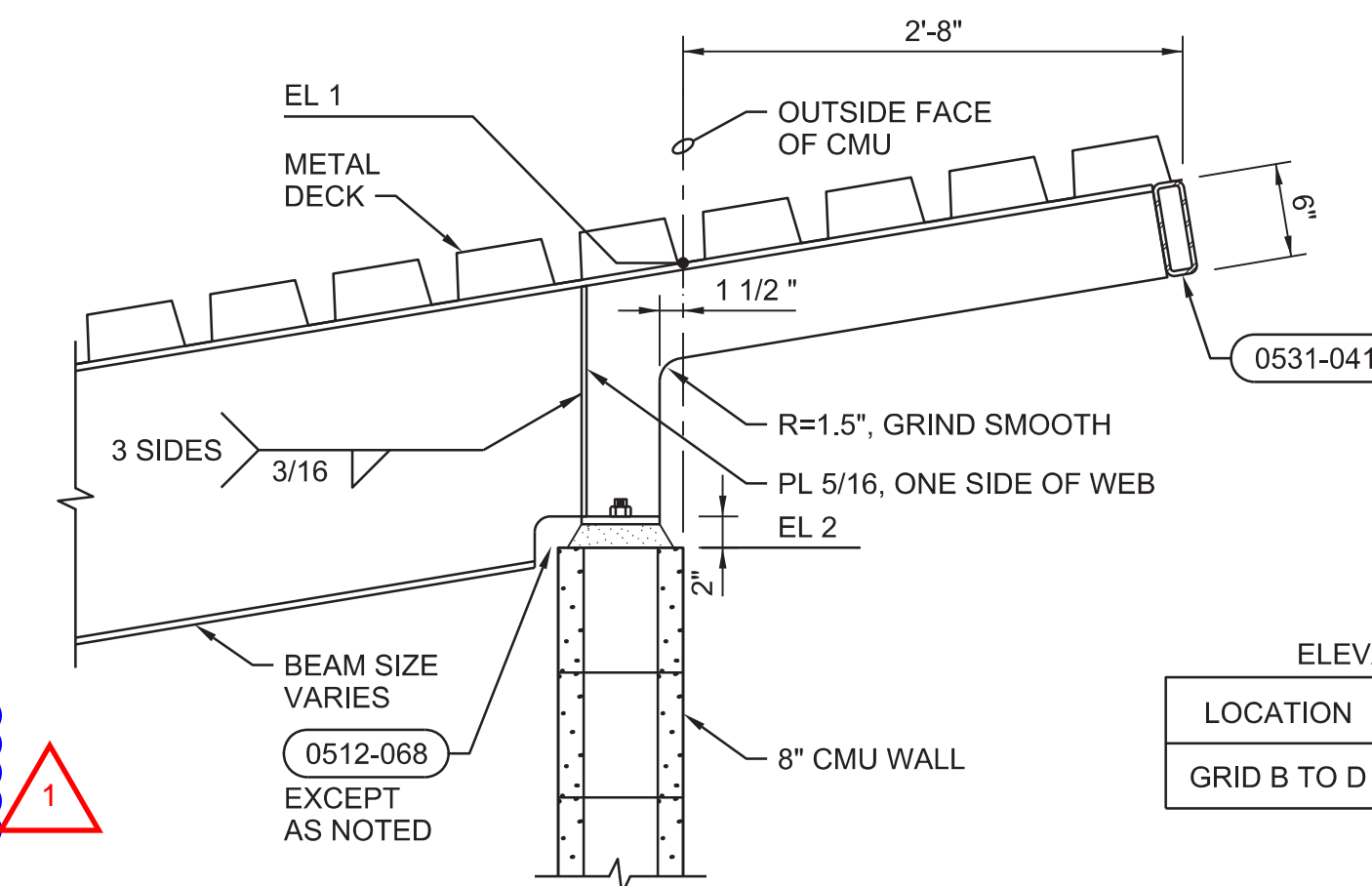
NOTE: FOR ADDITIONAL INFORMATION SEE 0422-003

1 CMU OPENING REINFORCEMENT

NTS



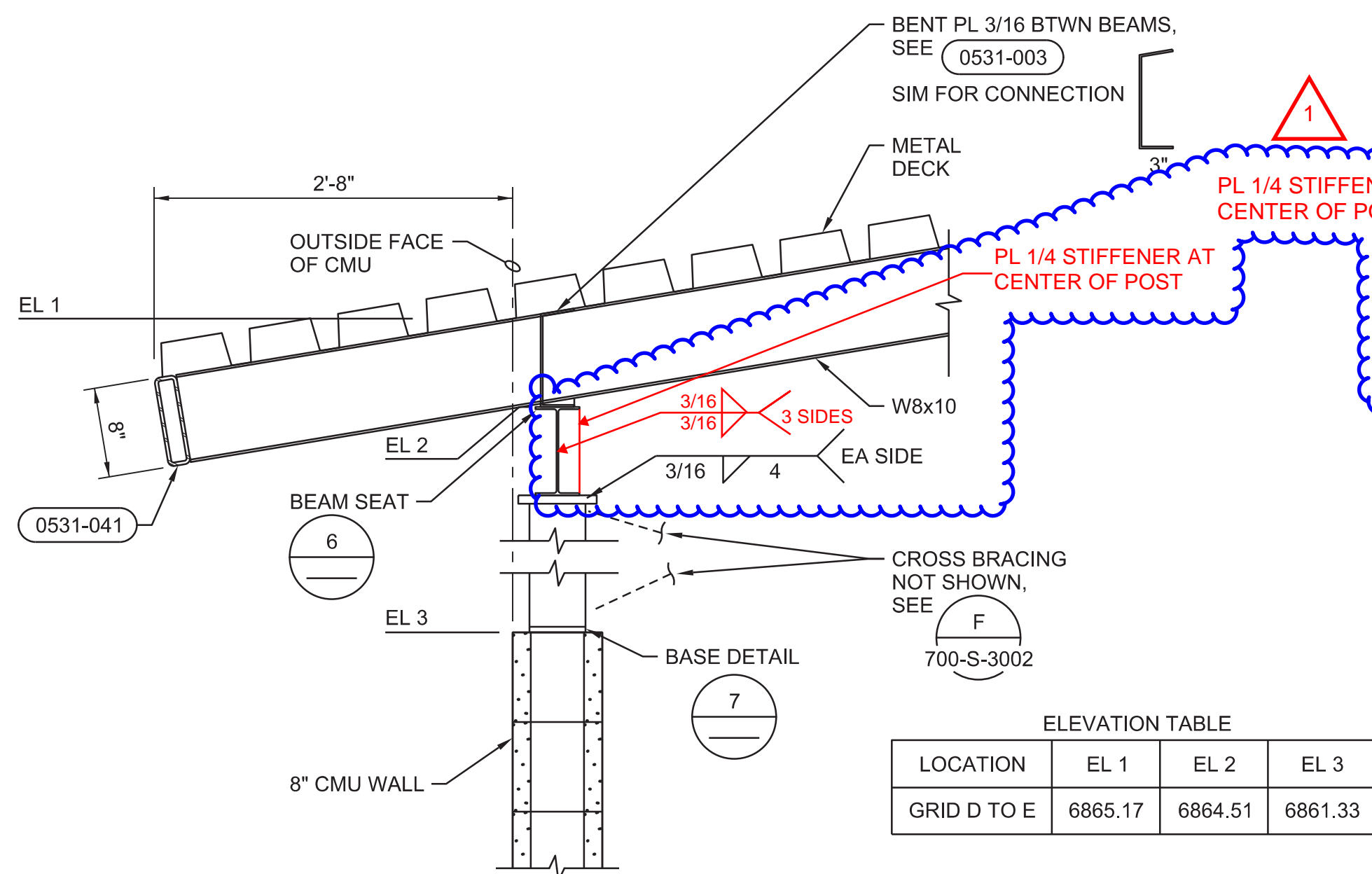
ELEVATION TABLE		
LOCATION	EL 1	EL 2
GRID B TO D	6866.00	6865.87 6864.67



ELEVATION TABLE		
LOCATION	EL 1	EL 2
GRID B TO D	6868.78	6868.33 6867.50

2 BEAM SEAT @ LOW WALL

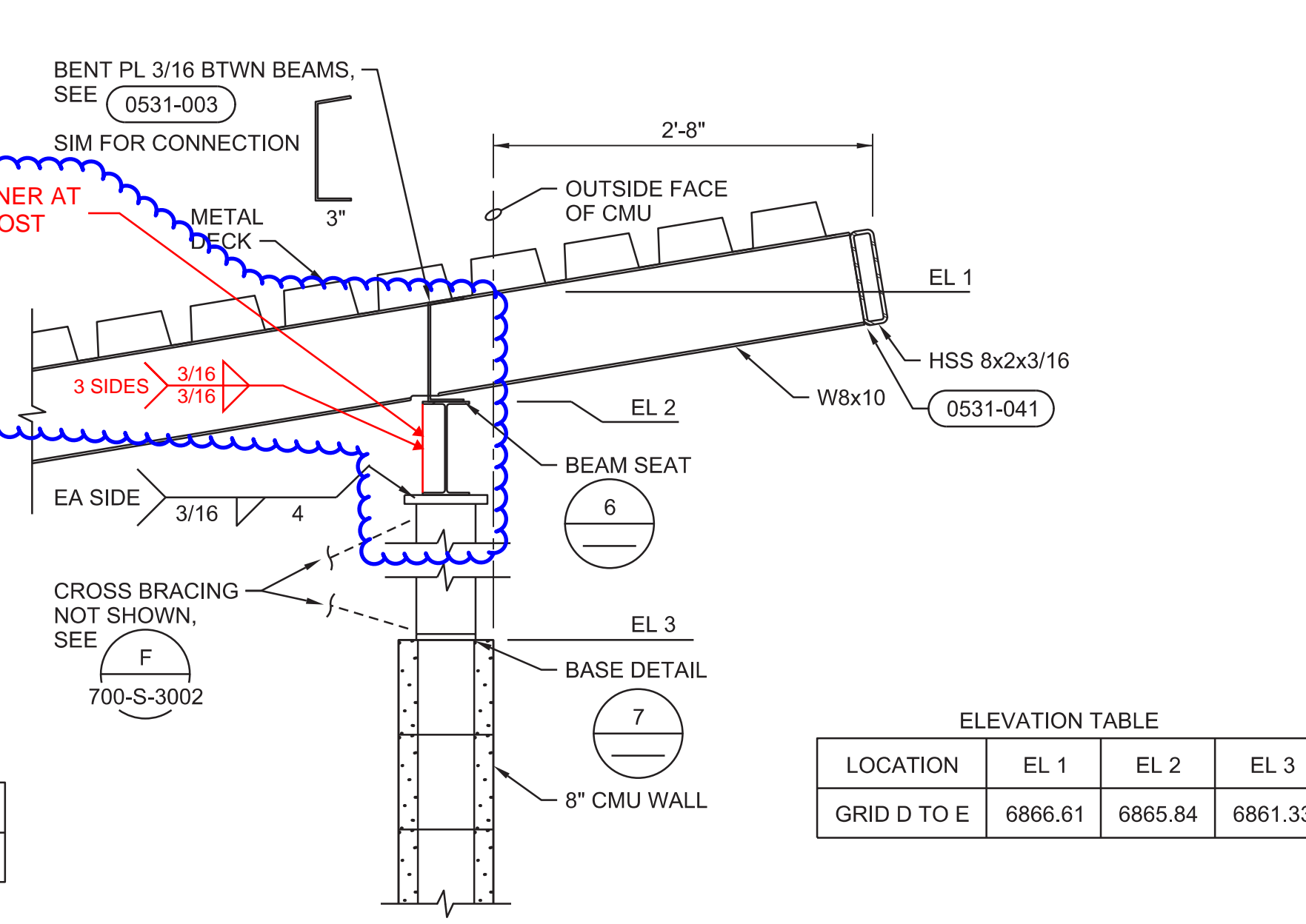
1"=1'-0"
700-S-3002



ELEVATION TABLE			
LOCATION	EL 1	EL 2	EL 3
GRID D TO E	6865.17	6864.51	6861.33

3 BEAM SEAT @ HIGH WALL

1"=1'-0"
700-S-3002



ELEVATION TABLE			
LOCATION	EL 1	EL 2	EL 3
GRID D TO E	6866.61	6865.84	6861.33

4 BEAM SEAT @ LOW WALL

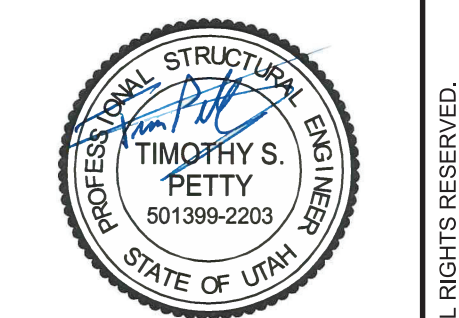
1"=1'-0"
700-S-3002

5 BEAM SEAT @ HIGH WALL

1"=1'-0"
700-S-3002

GENERAL NOTES

1. FOR GENERAL STRUCTURAL NOTES SEE DRAWING 001-GS-0001 AND 001-GS-0002.



DIGITALLY SIGNED:
02/10/2020

NO.	DATE	REVISION	BY	APVD
1	06/03/2020	ENGINEERING CLARIFICATION #26	TP	P SWAIM

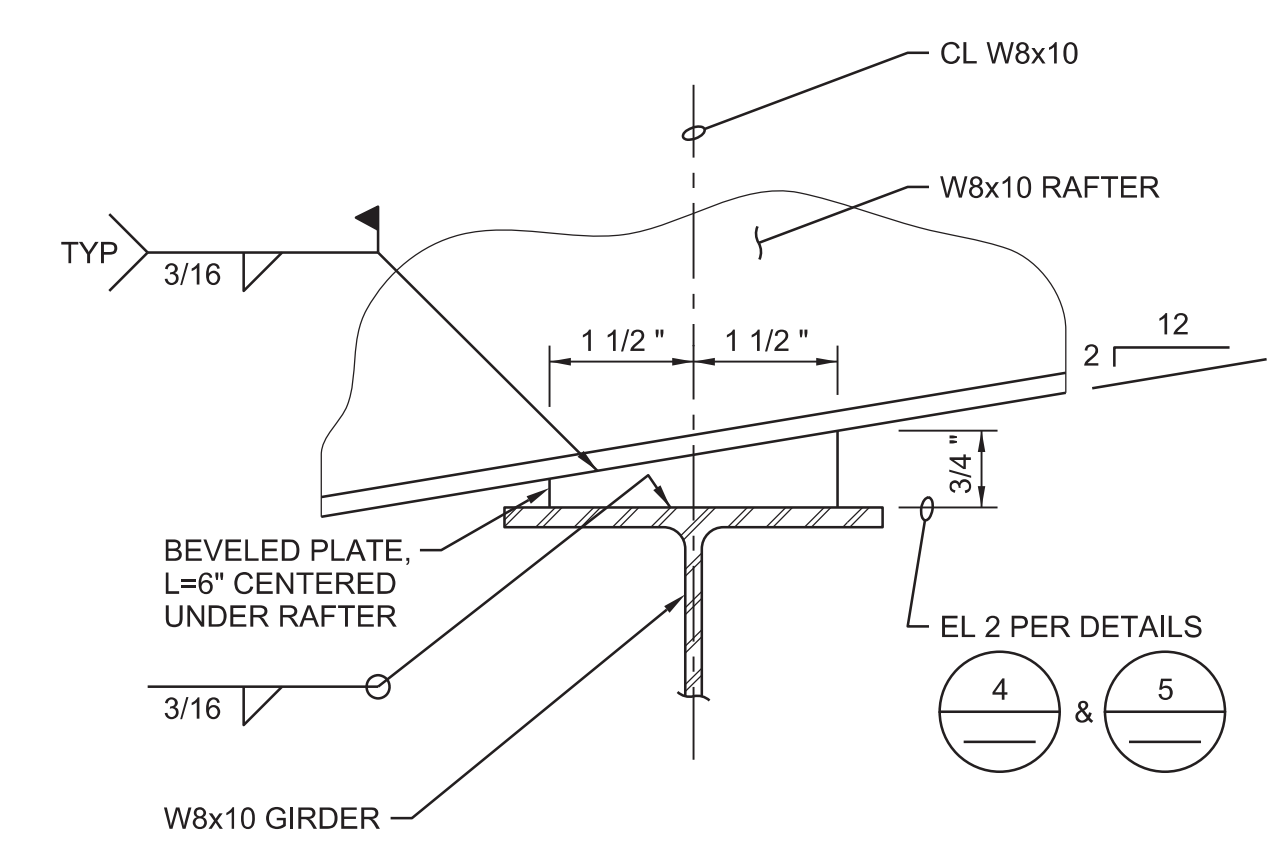
ZEHREN AND ASSOCIATES, INC.
ARCHITECTURE PLANNING INTERIORS
LANDSCAPE ARCHITECTURE
1414 West Center Street, Suite 201
Salt Lake City, Utah 84119
801-462-2227 FAX 801-462-1100

3Kings WTP Phase III Design
Park City Municipal Corporation
Park City, Utah

JACOBS

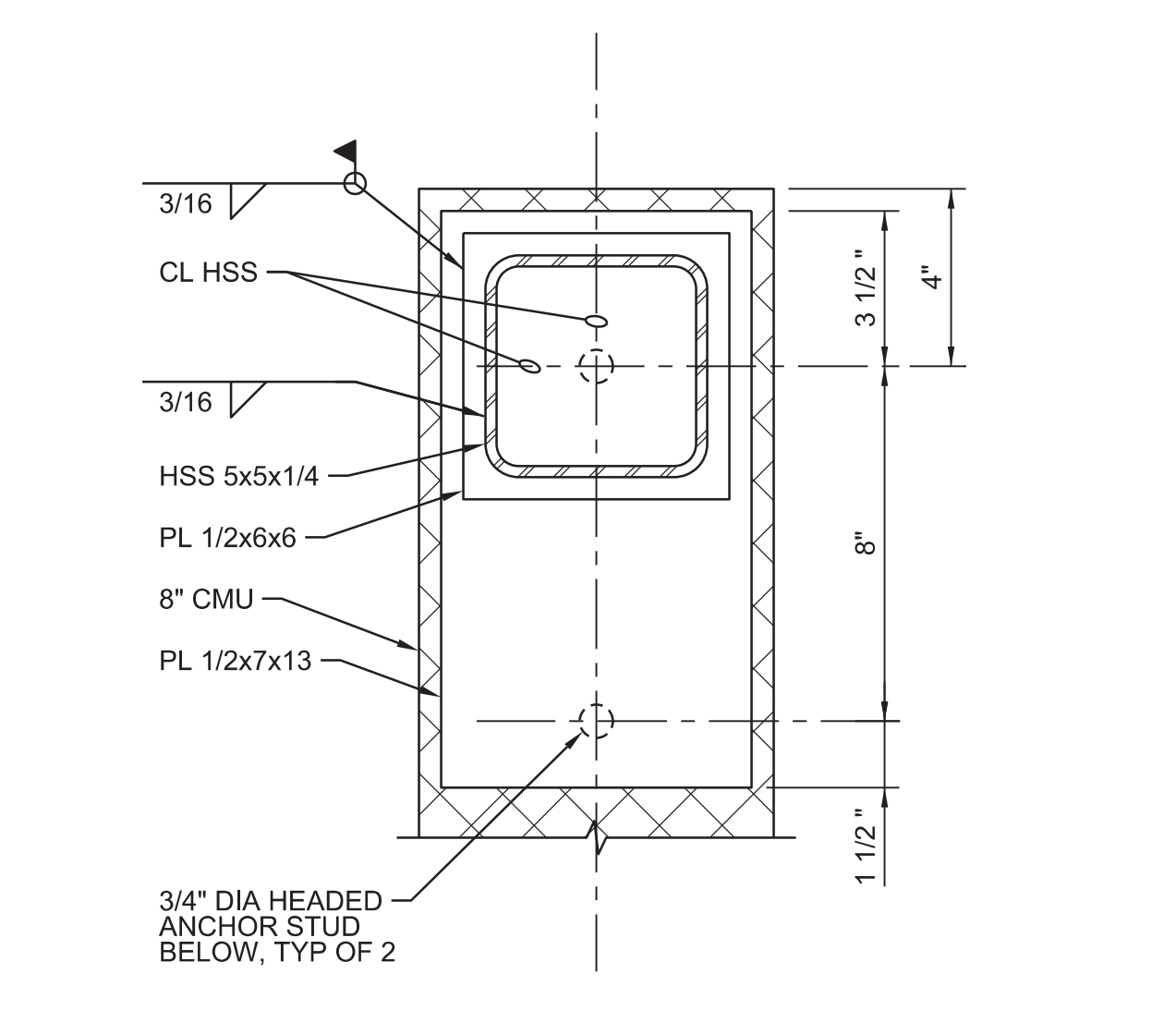
STRUCTURAL
FACILITY 700
ELECTRICAL BUILDING
DETAILS

VERIFY SCALE	DATE	02/10/2020
BAR IS ONE INCH ON ORIGINAL DRAWING.	PROJ	694342
0 1" 2"	DWG	700-S-5002
	SHEET	819 of 911



6 SLOPED BEAM SEAT DETAIL

NTS



7 HSS BASE DETAIL

NTS
700-S-3002