



ENGINEERING CLARIFICATION

EC TITLE: Filters and Adsorbers Drain Valves and Level Instrument Connection Details

PROJECT: 3 Kings Water Treatment Plant

EC NO.: 34

DATE: 7/13/2020

STATUS: Acknowledged

SECTION 1: BY CONTRACTOR

QUESTION:

1. Drain valves on the underside of the filter and adsorber vessels are shown on the PIDs, but not on the process mechanical sheets. This clarification provides details on valve type and drain piping underneath the filters and adsorbers.
2. Echosmart connection detail did not show the flange connected to the top of the tank. Also, clarifications to material type are now included.

DRAWING NO.: 330-D-9001 PROCESS MECHANICAL - FACILITY 300 - ADSORBERS ENLARGED UNDER SLAB PLAN

SPECIFICATION SECTION:

POTENTIAL COST IMPACT:

POTENTIAL SCHEDULE IMPACT:

PROPOSED SOLUTION:

See attached revised drawing.

COMMENTS:

INITIATOR: Menk, Sean/SLC

PRIORITY: Normal

REQUESTED RESPONSE DATE: 7/27/2020

SECTION 2: BY REVIEWER

RESPONSE:

COMMENTS:

REVIEWED BY: Sam Conant

REVIEWED DATE: 7/20/2020

1

2

3

4

5

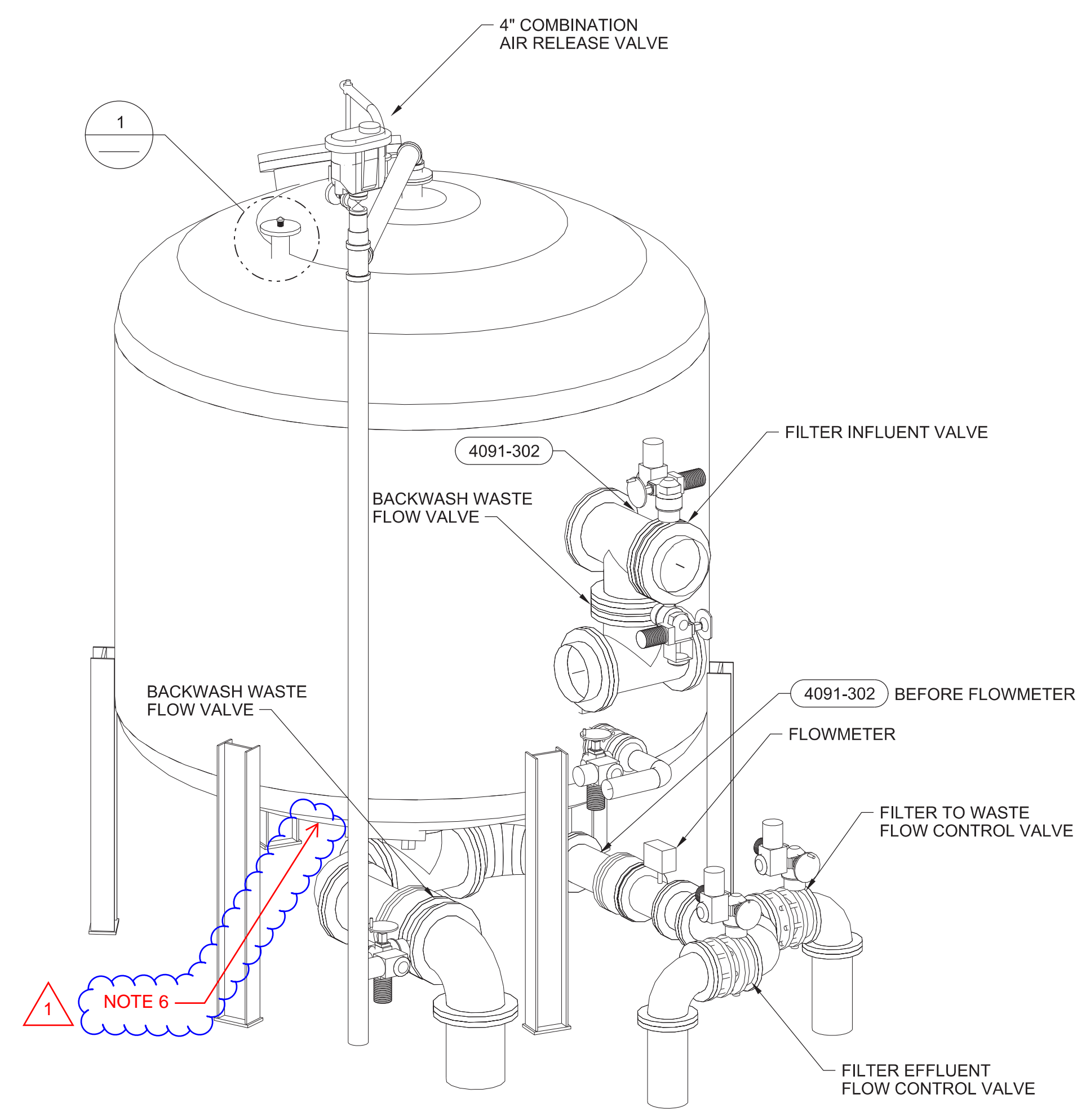
6

A

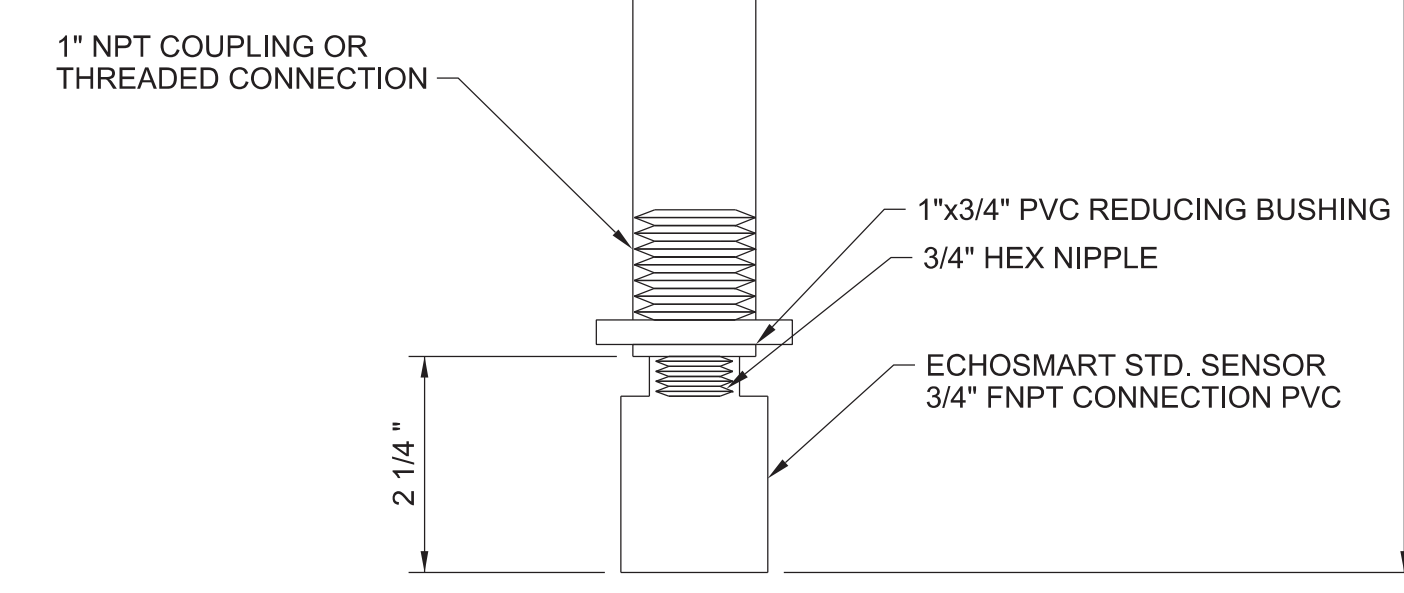
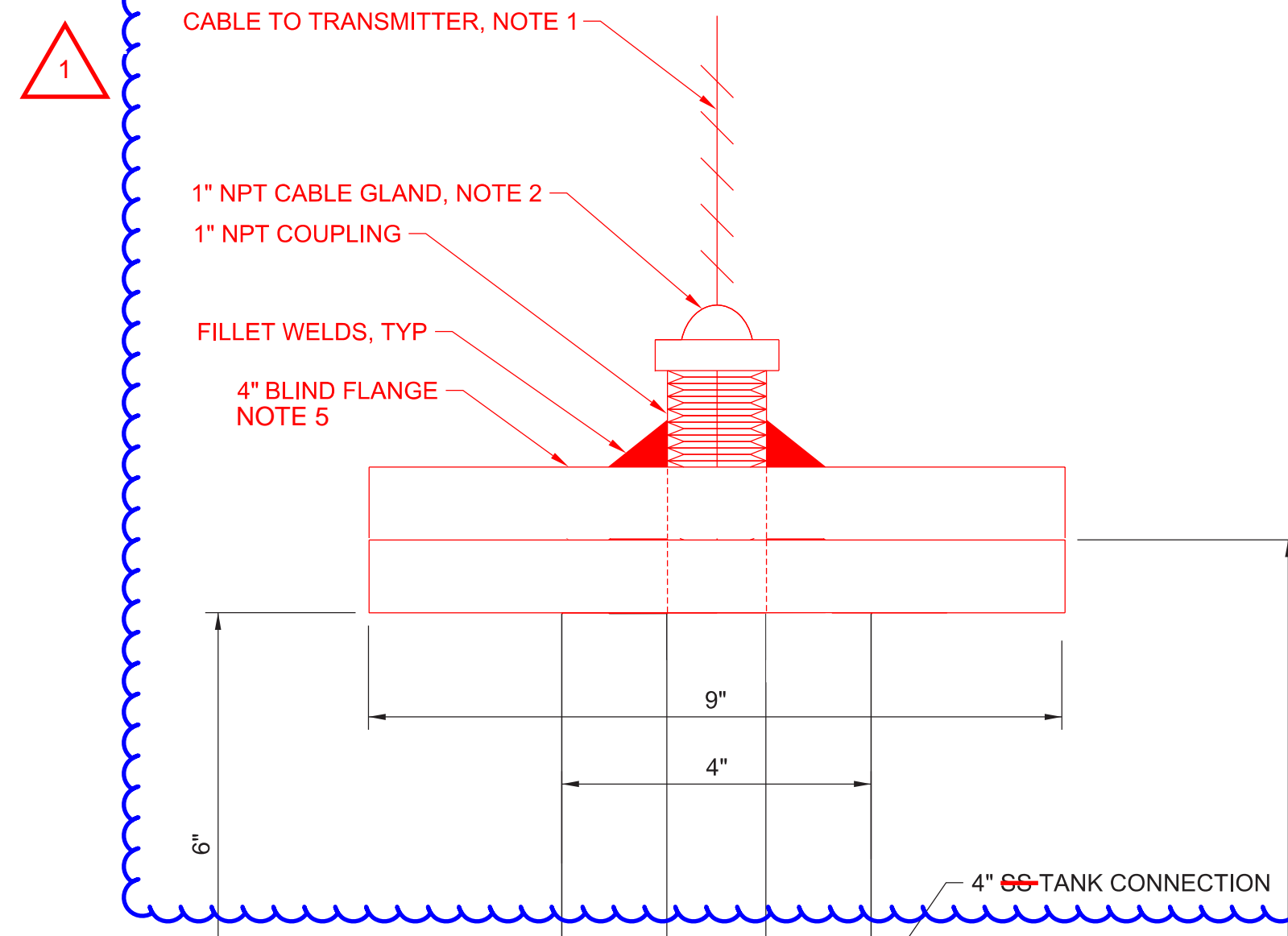
B

C

D



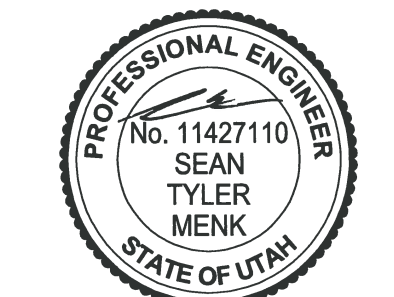
TYPICAL FILTER ISOMETRIC
1/2"=1'-0"



1 DETAIL
6"=1'-0"

GENERAL NOTES

- COORDINATE CABLE LENGTH WITH ECHOSMART VENDOR AND ENGINEER TO ENSURE SENSOR CABLE CAN BE CONNECTED TO TRANSMITTER
- PROVIDE 1" CABLE GLAND WITH NEOPRENE OR RUBBER SEAL TO PROVIDE WATER-TIGHT CONNECTION.
- TOTAL LENGTH SHALL BE COORDINATED WITH ENGINEER AND TANK MANUFACTURER. ENSURE ECHOSMART SENSOR IS LOCATED A MINIMUM OF 4" BELOW THE TOP OF THE BACKWASH COLLECTION TROUGH WEIR AND A MINIMUM OF 24" ABOVE UNEXPANDED FILTER MEDIA.
- INSTALL PRESSURE INDICATOR AND TRANSMITTER PER STANDARD DETAIL 4091-302
- BLIND FLANGE MATERIAL AND COATING SHALL MATCH MATERIAL AND COATING OF TANK.
- PROVIDE 2" V330 BALL VALVE ON FLANGED DRAIN CONNECTION ON UNDERSIDE OF VESSEL. ROUTE SCHEDULE 80 PVC DRAIN PIPING FROM VALVE TO WITHIN 6" OF TRENCH DRAIN UNDERNEATH VESSEL.



DIGITALLY SIGNED:
02/10/2020

NO.	DATE	REVISION	BY	APVD
1	07/10/2020	ENGINEERING CLARIFICATION #34	SM	APVD
			JZ	APVD
			SM	BY
			APVD	APVD
			CHK	APVD
			DR	APVD
			S MENK	APVD
			J WILCOX	APVD
			B MISLIN	APVD
			P SWAIM	APVD

ZEHREN AND ASSOCIATES, INC.
ARCHITECTURE, PLANNING, INTERIORS
LANDSCAPE ARCHITECTURE
4500 West 120th Street, Suite 200
P.O. Box 9790, Arvada, Colorado 80009
970.944.2227 FAX: 970.944.1000

3Kings WTP Phase III Design
Park City Municipal Corporation
Park City, Utah

JACOBS
PROCESS MECHANICAL
FACILITY 300 - AREA 320
FILTERS
ISOMETRIC

VERIFY SCALE	BAR IS ONE INCH ON ORIGINAL DRAWING.
DATE	02/10/2020
PROJ	694342
DWG	320-D-9001
SHEET	644 of 911

ISSUED FOR CONSTRUCTION

© JACOBS 2018. ALL RIGHTS RESERVED.

REUSE OF DOCUMENTS: THIS DOCUMENT, AND THE IDEAS AND DESIGNS INCORPORATED HEREIN, AS AN INSTRUMENT OF PROFESSIONAL SERVICE, IS THE PROPERTY OF JACOBS AND IS NOT TO BE USED, IN WHOLE OR IN PART, FOR ANY OTHER PROJECT WITHOUT THE WRITTEN AUTHORIZATION OF JACOBS.

