



ENGINEERING CLARIFICATION

EC TITLE: Sodium Hydroxide Chemical Fill Pipe Size
PROJECT: 3 Kings Water Treatment Plant

EC NO.: 48
DATE: 8/14/2020
STATUS: Open

SECTION 1: BY CONTRACTOR

QUESTION:

A discrepancy was found between the sodium hydroxide fill line size on the P&ID and process mechanical drawings.

DRAWING NO.: 060-N-80006 INSTRUMENTATION AND CONTROL - SODIUM HYDROXIDE STORAGE SYSTEM
SPECIFICATION SECTION:

POTENTIAL COST IMPACT:

POTENTIAL SCHEDULE IMPACT:

PROPOSED SOLUTION:

See attached marked up drawings.

COMMENTS:

INITIATOR: Erinn Kunik

PRIORITY: Normal

REQUESTED RESPONSE DATE: 8/28/2020

SECTION 2: BY REVIEWER

RESPONSE:

COMMENTS:

REVIEWED BY:

REVIEWED DATE:

1

2

3

4

5

6

GENERAL NOTES

- INSTALL FRP UV RESISTANT INSTRUMENT MOUNTING PANEL BEHIND PUMPS AND INSTRUMENTATION. PANEL TO BE 0.5-INCH THICK. PANELBOARD AND UNISTRUT SUPPORTS TO BE PROVIDED BY CONTRACTOR. REFER TO SPECIFICATION SECTION 01 88 15, ANCHORAGE AND BRACING.



DIGITALLY SIGNED:
02/10/2020

APVD	BY	APVD	DR	CHK	REVISION	DATE	NO.
P SWAIM	EK	JZ	E KUNIK	C SCHNEE	ENGINEERING CLARIFICATION #48	08/13/2020	1
			T ELLIOTT				

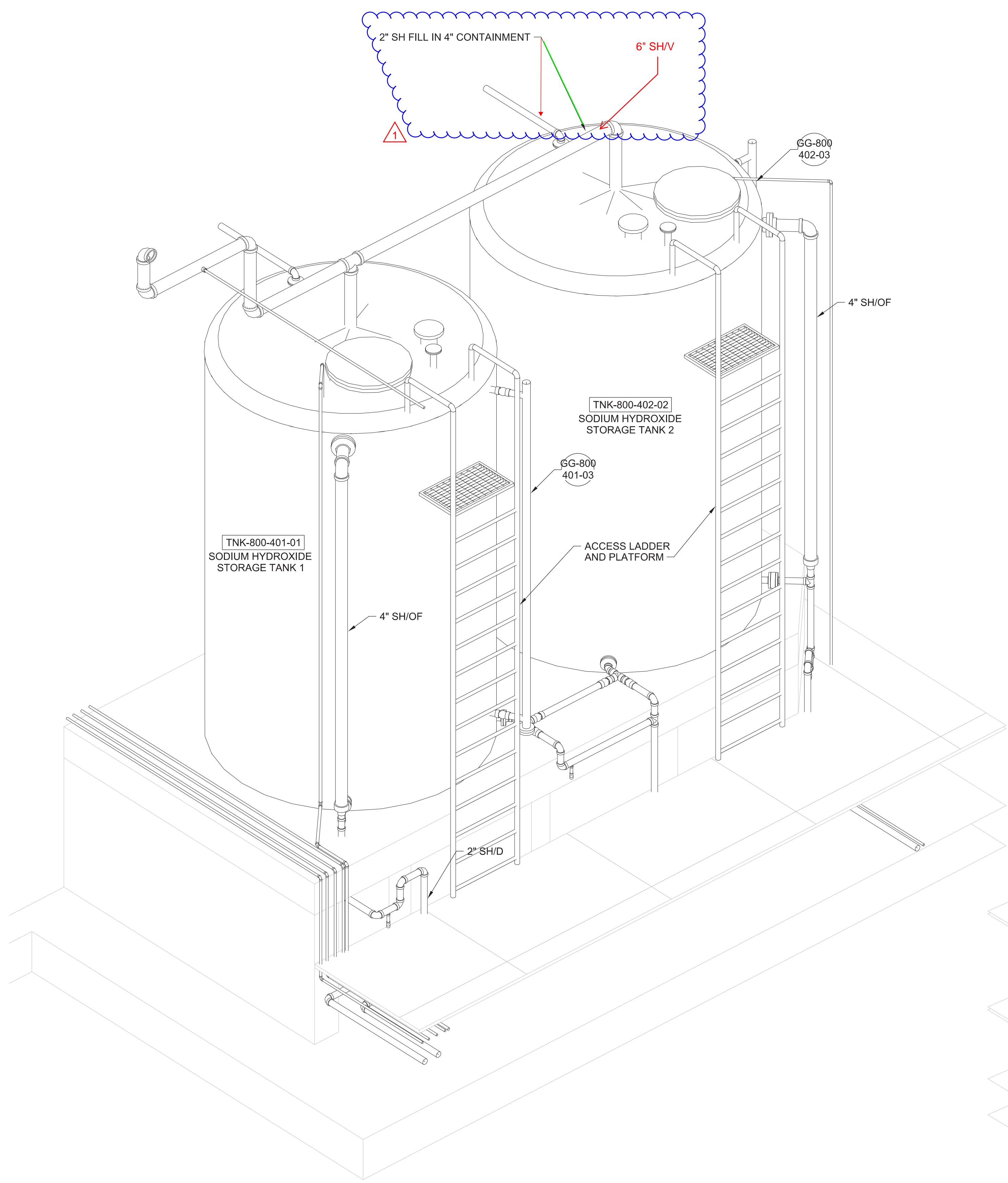
ZEHREN AND ASSOCIATES, INC.
ARCHITECTURE, PLANNING, INTERIORS
LANDSCAPE ARCHITECTURE
1415 E. 1000 S., Suite 100
P.O. Box 9797, West Valley City, UT 84116
801.944.4227 FAX: 801.944.1100

3Kings WTP Phase III Design
Park City Municipal Corporation
Park City, Utah

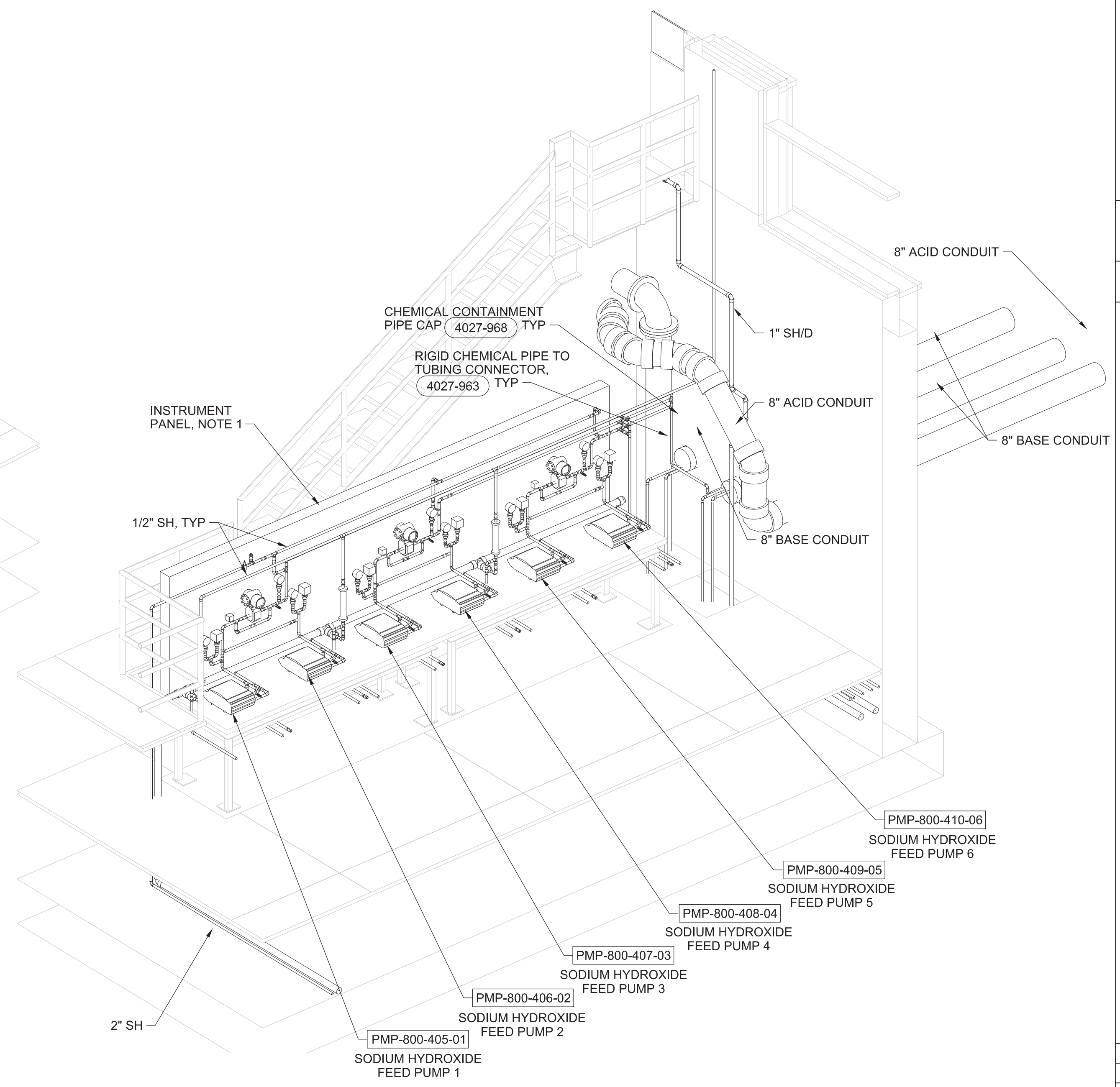
JACOBS
PROCESS MECHANICAL
FACILITY 800
CHEMICAL BUILDING
SODIUM HYDROXIDE ISOMETRIC

VERIFY SCALE	DATE	02/10/2020
BAR IS ONE INCH ON ORIGINAL DRAWING.	PROJ	694342
0 1"	DWG	800-D-9003
	SHEET	866 of 911

ISSUED FOR CONSTRUCTION



SODIUM HYDROXIDE TANKS ISOMETRIC
NTS



SODIUM HYDROXIDE PUMPS ISOMETRIC
NTS