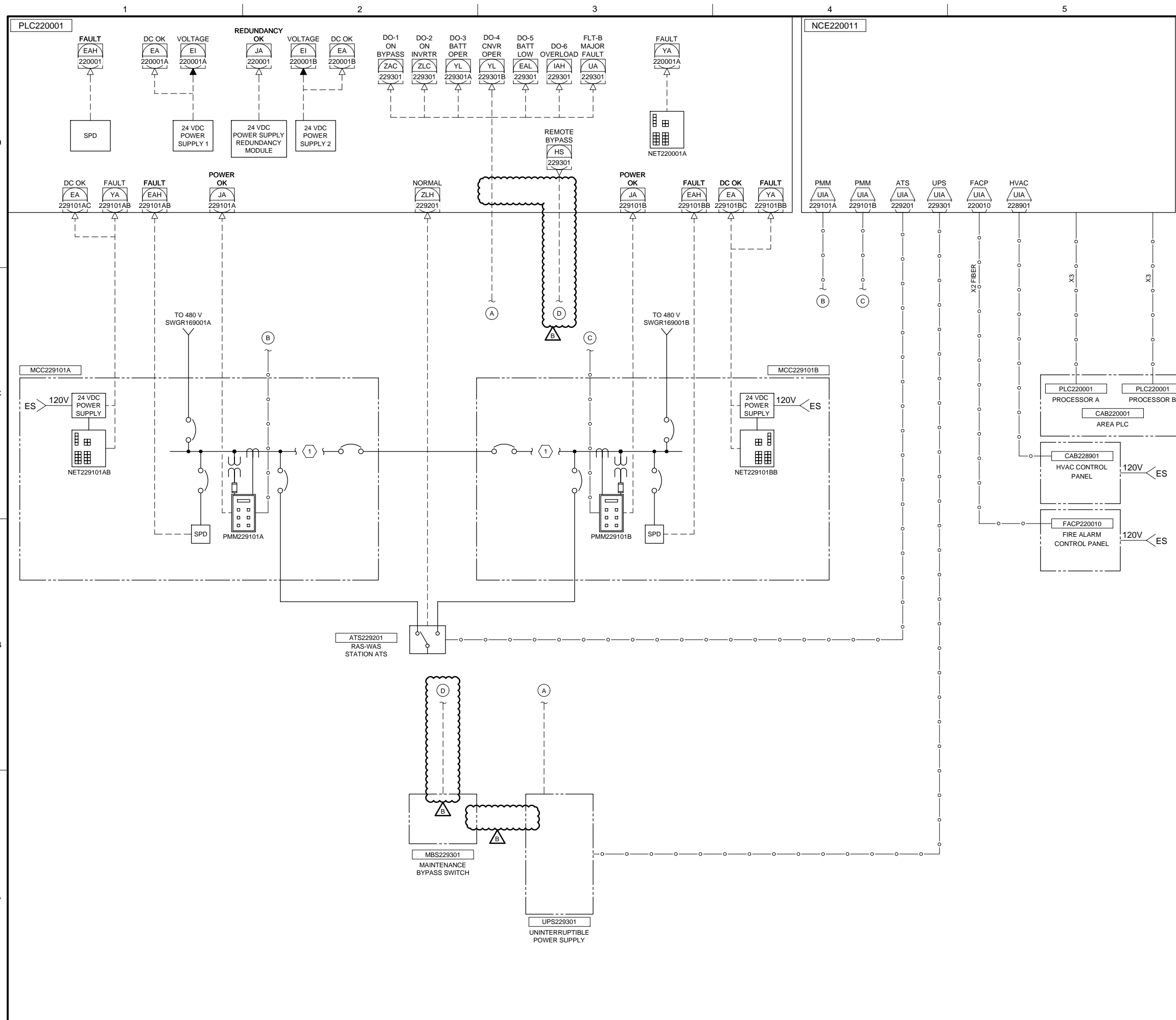


Path: \\BCS\IN\PROJECTS\CENTRAL VALLEY\15160000\BIM\03-AUTOCAD\03-PID\151600-CENTRAL VALLEY NUTRIENTS-V17\TID.DWG FILENAME: I-22-6091.DWG CAD USER: KEN WESTERBERG PLOT DATE: 3/6/2020 9:24 AM



GENERAL NOTES:

1. REFER TO ELECTRICAL ONE-LINE DIAGRAMS E-22-7001 AND E-22-7002.

KEYNOTES:

1. DRAWING SHOWS PARTIAL REPRESENTATION OF MCC ELECTRICAL LOADS. REFER TO ELECTRICAL ONE-LINE DIAGRAMS FOR ADDITIONAL MCC ELECTRICAL LOAD INFORMATION.



6975 Union Park Center
Salt Lake City, UT

BID ISSUE



**NUTRIENT REMOVAL
CC30B BNR
BASINS/PEPS/RAS
SELECTOR**

REVISIONS

REV	DATE	DESCRIPTION
A	02/28/20	CC30B ADDENDUM 2
B	03/13/20	CC30B ADDENDUM 3

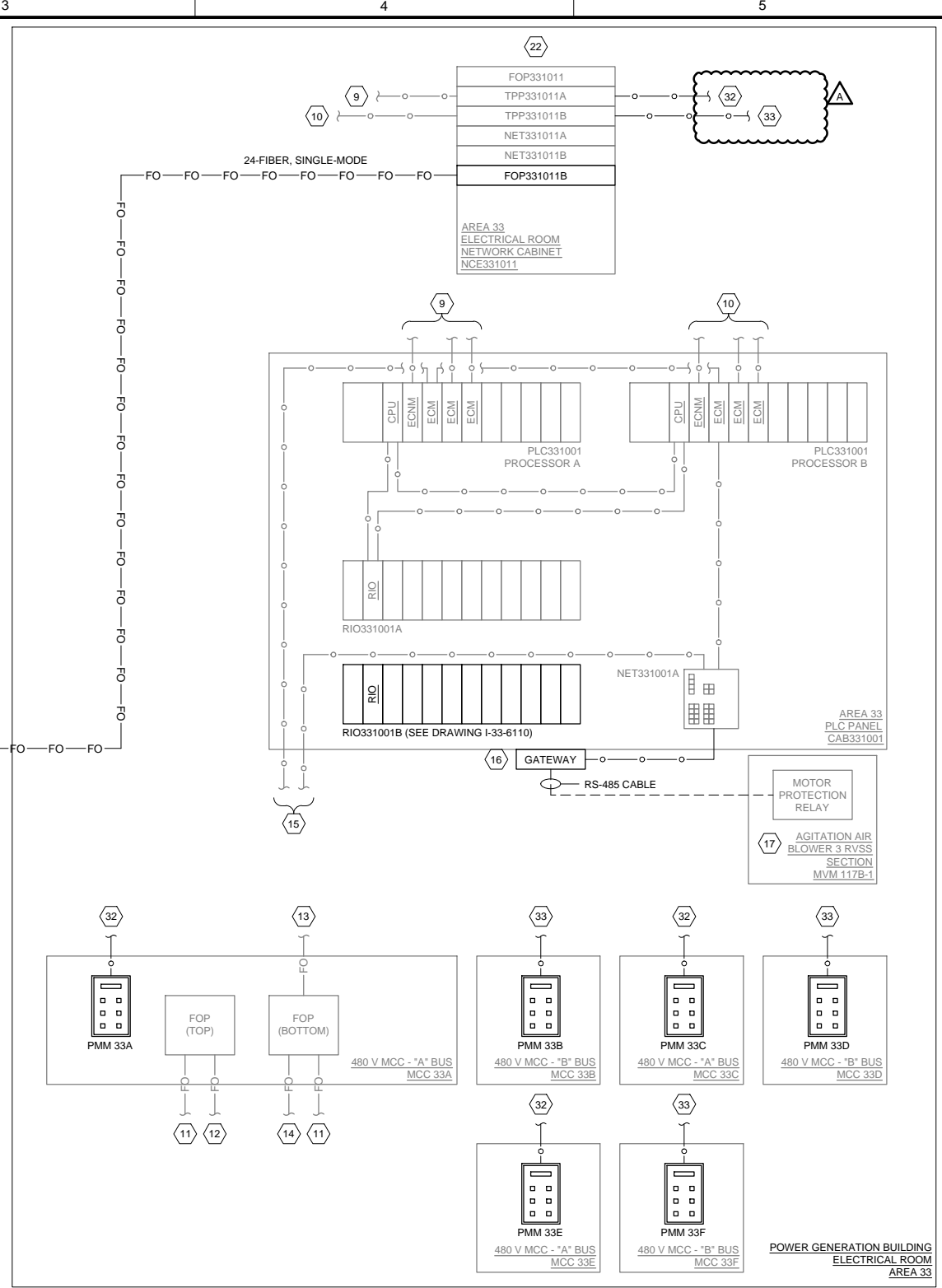
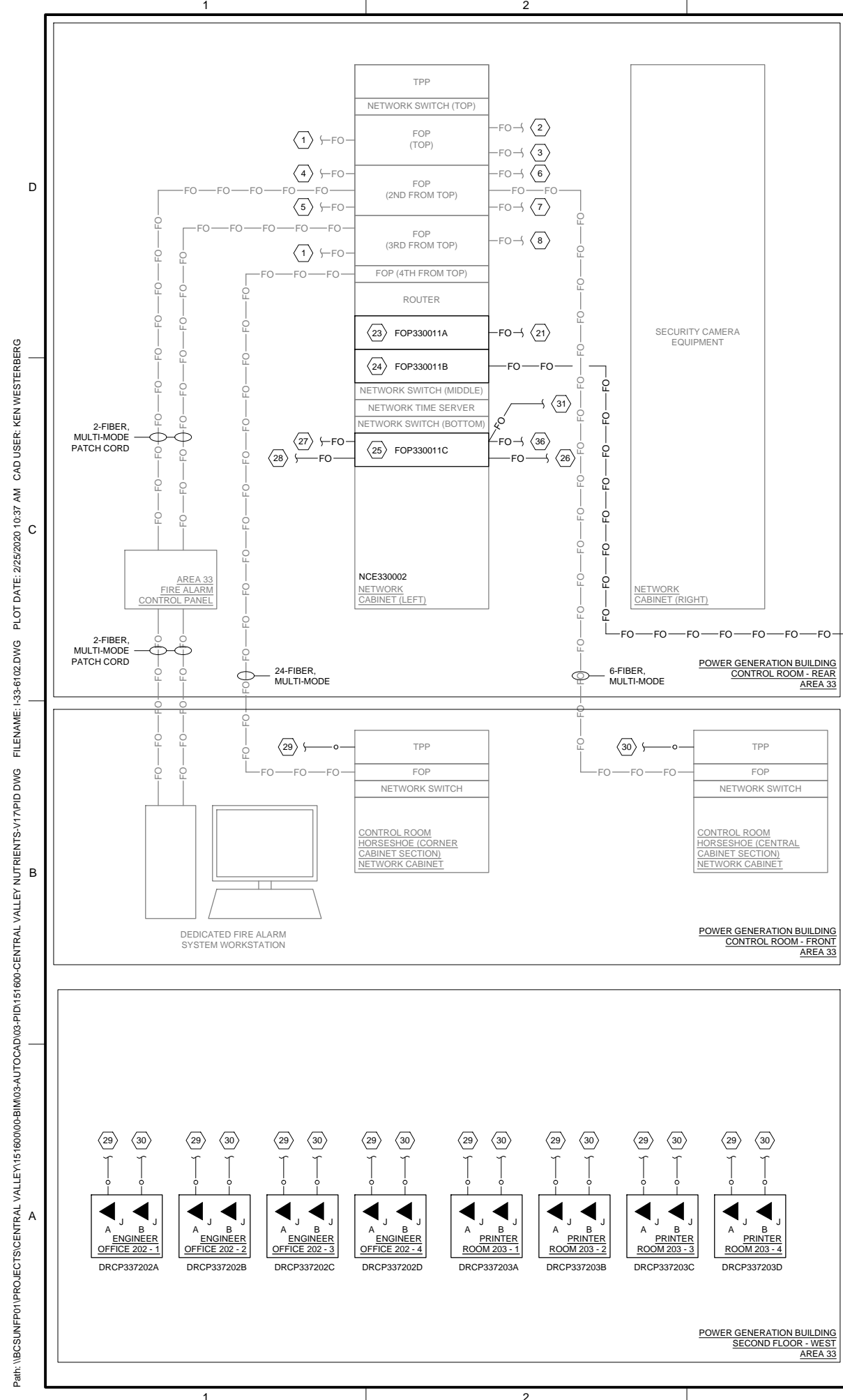
LINE IS 2 INCHES
AT FULL SIZE

DESIGNED: J. JACKSON
DRAWN: K. WESTERBERG
CHECKED: L. LUBKE
CHECKED:
APPROVED: J. COX

FILENAME
I-22-6091.DWG
BC PROJECT NUMBER
151600
CLIENT PROJECT NUMBER
CC30B

**INSTRUMENTATION
AREA 22 POWER 1**

DRAWING NUMBER
I-22-6091



KEYNOTES (CC30A):

- 32 ROUTE FROM EQUIPMENT NETWORK INTERFACE TO SHIELDED TWISTED PAIR (STP) PATCH PANEL TPP331011A IN AREA NETWORK CABINET.
- 33 ROUTE FROM EQUIPMENT NETWORK INTERFACE TO SHIELDED TWISTED PAIR (STP) PATCH PANEL TPP331011B IN AREA NETWORK CABINET.

KEYNOTES (CC30B):

- 36 12-FIBER, MM CABLE TO NCE220011 IN RAS SELECTOR (AREA 22) ELECTRICAL ROOM. SEE DRAWING I-22-6101 FOR CONTINUATION.

LEGEND:

- CATEGORY CABLE. SEE SECTION 26 05 19.
- FO— FIBER-OPTIC CABLE, TYPE AND QUANTITY AS SPECIFIED IN NOTES

KEYNOTES (CC30A):

- 26 12-FIBER, MM CABLE TO NCE130011 IN MAINTENANCE BUILDING (AREA 13) ELECTRICAL ROOM. SEE DRAWING I-13-6101 FOR CONTINUATION.
- 27 12-FIBER, MM CABLE TO NCE340101 IN BLOWER BUILDING (AREA 34) ELECTRICAL ROOM. SEE DRAWING I-34-6102 FOR CONTINUATION.
- 28 12-FIBER, MM CABLE TO NCE230011 IN UV BUILDING (AREA 23) ELECTRICAL ROOM. SEE DRAWING I-23-6101 FOR CONTINUATION.
- 29 ROUTE FROM EQUIPMENT NETWORK INTERFACE TO EXISTING STP PATCH PANEL IN HORSESHOE CORNER CABINET SECTION AND CONNECT TO SPARE PORT.
- 30 ROUTE FROM EQUIPMENT NETWORK INTERFACE TO EXISTING STP PATCH PANEL IN HORSESHOE CENTRAL CABINET SECTION AND CONNECT TO SPARE PORT.
- 31 INSTALL TEMPORARY 12-FIBER, MULTI-MODE CABLE TO NCE050004. SEE DRAWING I-05-6101 FOR CONTINUATION.

GENERAL NOTES:

1. PROVIDE, TERMINATE, AND TEST ALL NEW CATEGORY AND FIBER-OPTIC CABLES.
2. PATCHING BETWEEN AREA NETWORK CABINET TWISTED PAIR PATCH PANELS (TPP) AND NETWORK SWITCHES PROVIDED BY OWNER. PATCHING BETWEEN AREA NETWORK CABINET NETWORK SWITCH FIBER-OPTIC UPLINK PORTS AND FIBER-OPTIC PATCH PANELS (FOP) PROVIDED BY OWNER.
3. ALL FIBER-OPTIC CABLES SHALL BE INSTALLED IN INNERDUCT WHEN OUTSIDE OF CONDUIT.
4. EXISTING EQUIPMENT AND COMMUNICATIONS CABLES ARE DEPICTED WITH LIGHTER WEIGHT LINE WORK. THIS DRAWING DOES NOT SHOW ALL EXISTING EQUIPMENT AND COMMUNICATIONS CABLES INCLUDED IN THE EXISTING AREA 33 ETHERNET NETWORKS, WHICH ARE BEING MODIFIED UNDER A SEPARATE COGENERATION CONTRACT THAT PRECEDES THIS PROJECT. PRIOR TO BEGINNING WORK, CONTRACTOR SHALL FIELD VERIFY EXISTING EQUIPMENT AND COMMUNICATIONS CABLES DEPICTED ON THIS DRAWING AND BRING ANY DISCREPANCIES TO THE ATTENTION OF THE OWNER'S REPRESENTATIVE.
5. REFER TO SECTION 27 11 00 FOR NEW FIBER-OPTIC PATCH PANEL COMPONENT AND INSTALLATION REQUIREMENTS.
6. FOR CABLING REFER TO CABLE SCHEDULE AND ELECTRICAL PLAN DRAWINGS.
7. THIS DRAWING IS ISSUED IN MULTIPLE CONTRACTS. SEE NOTES BELOW FOR SCOPE DELINEATION.

KEYNOTES (GENERAL):

- 1 EXISTING 48-FIBER, MULTI-MODE (MM) CABLE TO NCR050002 IN ADMINISTRATION BUILDING (AREA 05) SERVER ROOM. SEE DRAWING I-05-6101 FOR CONTINUATION.
- 2 EXISTING 12-FIBER AND 6-FIBER MM CABLES TO NCR-MTN-1 IN MAINTENANCE BUILDING (AREA 13) TELEPHONE ROOM. SEE DRAWING I-13-6101 FOR CONTINUATION.
- 3 EXISTING 24-FIBER, MM CABLE TO NCR-DEW-1 IN DEWATERING BUILDING (AREA 29) ELECTRICAL ROOM. SEE DRAWING I-29-6101 FOR CONTINUATION.
- 4 EXISTING 6-FIBER, MM CABLE TO 3W/COOLING WATER PUMP STATION ROOF CAMERA.
- 5 EXISTING 6-FIBER, MM CABLE TO TUNNEL INTERSECTION ACCESS CONTROL PANEL.
- 6 EXISTING 6-FIBER, MM CABLE TO VIDEO JUNCTION BOX AT WEST GATE.
- 7 EXISTING 48-FIBER, MM CABLE TO EXISTING NETWORK CABINET IN EAST RAS/WAS PUMP STATION (AREA 21) ELECTRICAL ROOM. SEE DRAWING I-21-6101 FOR CONTINUATION.
- 8 EXISTING 24-FIBER, MM CABLE TO NCR-MTN-1 IN MAINTENANCE BUILDING (AREA 13) TELEPHONE ROOM. SEE DRAWING I-13-6101 FOR CONTINUATION.
- 9 EXISTING CABLE FROM EQUIPMENT NETWORK INTERFACE TO SHIELDED TWISTED PAIR (STP) PATCH PANEL TPP331011A IN ELECTRICAL ROOM NETWORK CABINET.
- 10 EXISTING CABLE FROM EQUIPMENT NETWORK INTERFACE TO STP PATCH PANEL TPP331011B IN ELECTRICAL ROOM NETWORK CABINET.
- 11 EXISTING 6-FIBER, MM CABLE TO MCC 21B IN EAST RAS/WAS PUMP STATION (AREA 21) ELECTRICAL ROOM. SEE DRAWING I-21-6101 FOR CONTINUATION.
- 12 EXISTING 6-FIBER, MM CABLE TO MCC 13B IN MAINTENANCE BUILDING (AREA 13) ELECTRICAL ROOM. SEE DRAWING I-13-6101 FOR CONTINUATION.
- 13 EXISTING 24-FIBER, MM CABLE TO MCC 10A IN HEADWORKS BUILDING (AREA 10) ELECTRICAL ROOM. SEE DRAWING I-10-6101 FOR CONTINUATION.
- 14 EXISTING 24-FIBER, MM CABLE TO MCC 29A IN DEWATERING BUILDING (AREA 29) ELECTRICAL ROOM. SEE DRAWING I-29-6101 FOR CONTINUATION.
- 15 EXISTING COMMUNICATIONS CABLE IS PART OF DEVICE-LEVEL RING FOR EXISTING PLCS IN AREA 33. SEE AREA 33 NETWORK DIAGRAM(S) FROM COGEN PROJECT FOR CONTINUATION.
- 16 OWNER TO INSTALL, CONFIGURE, AND TEST 2-PORT MODBUS RTU TO MODBUS TCP GATEWAY.
- 17 EXISTING MODBUS RTU SERIAL FIELD WIRING AT MEDIUM VOLTAGE SWITCHGEAR HAS NOT BEEN FIELD VERIFIED. COORDINATE WITH OWNER TO DETERMINE WHERE IN MVM 117A-1 AND MVM 117B-1 TO EXTEND EXISTING MODBUS RTU DAISY CHAIN(S) TO CAB331001.

KEYNOTES (CC30A):

- 21 48-FIBER, SINGLE-MODE CABLE TO BLOWER BUILDING (AREA 34) SERVER ROOM. SEE DRAWING I-34-6101 FOR CONTINUATION.
- 22 INSTALL 1U FOP WITH ONE 24-FIBER, LC, SINGLE-MODE FIBER SPLICE MODULE IN EXISTING NETWORK CABINET.
- 23 INSTALL 2U FOP WITH TWO 24-FIBER, LC, SINGLE-MODE FIBER SPLICE MODULES IN EXISTING NETWORK CABINET.
- 24 INSTALL 2U FOP WITH ONE 24-FIBER, LC, SINGLE-MODE FIBER SPLICE MODULE IN EXISTING NETWORK CABINET.
- 25 INSTALL 2U FOP WITH FOUR 12-FIBER, LC, MULTI-MODE FIBER SPLICE MODULES IN EXISTING NETWORK CABINET.



6975 Union Park Center
Salt Lake City, UT

BID ISSUE



NUTRIENT
REMOVAL CC30A
BLOWER BUILDING

REVISIONS

REV	DATE	DESCRIPTION
A	03/03/20	CC30A ADDENDUM 3

LINE IS 2 INCHES
AT FULL SIZE

DESIGNED: J. JACKSON
DRAWN: K. WESTERBERG
CHECKED: L. LUBKE
APPROVED: J. COX

FILENAME
I-33-6102.DWG
BC PROJECT NUMBER
151600
CLIENT PROJECT NUMBER
CC30A

INSTRUMENTATION
AREA 33 NETWORK
DIAGRAM 2

DRAWING NUMBER
I-33-6102

Path: \\BSC\UNFP01\PROJECTS\CENTRAL VALLEY\151600\00-BIM\03-AUTOCAD\03-PIV\151600-CENTRAL VALLEY NUTRIENTS-V17\PIV.DWG FILENAME: I-33-6102.DWG PLOT DATE: 2/25/2020 10:37 AM CAD USER: KEN WESTERBERG